

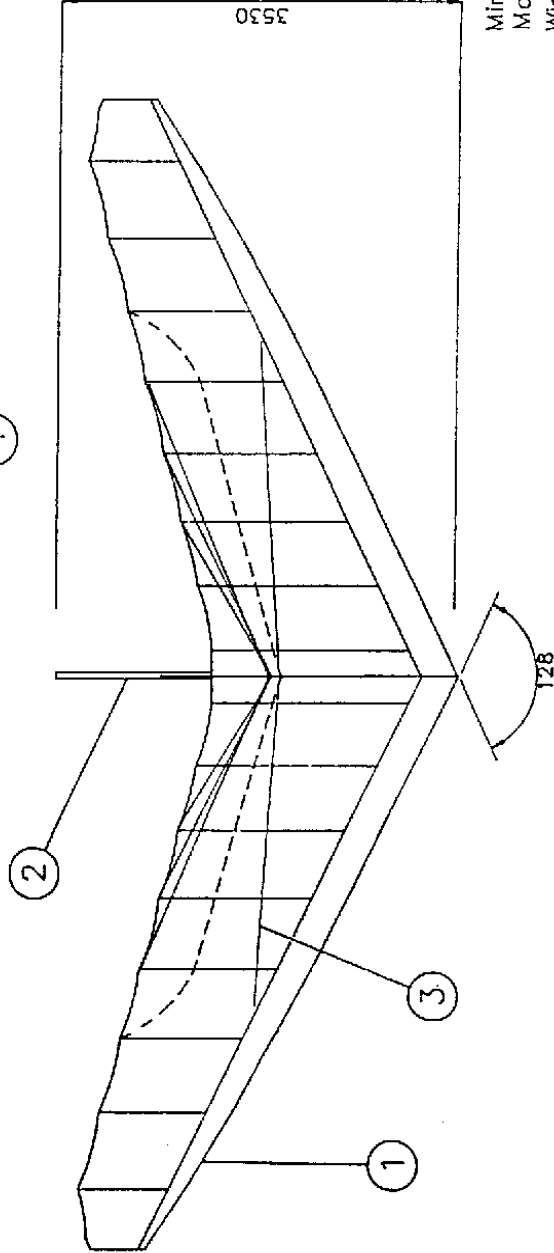
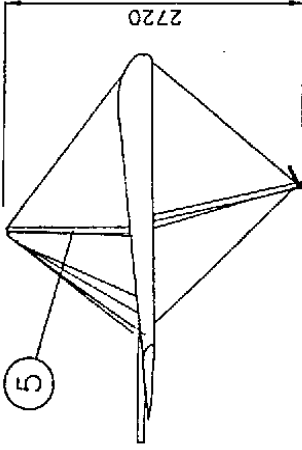
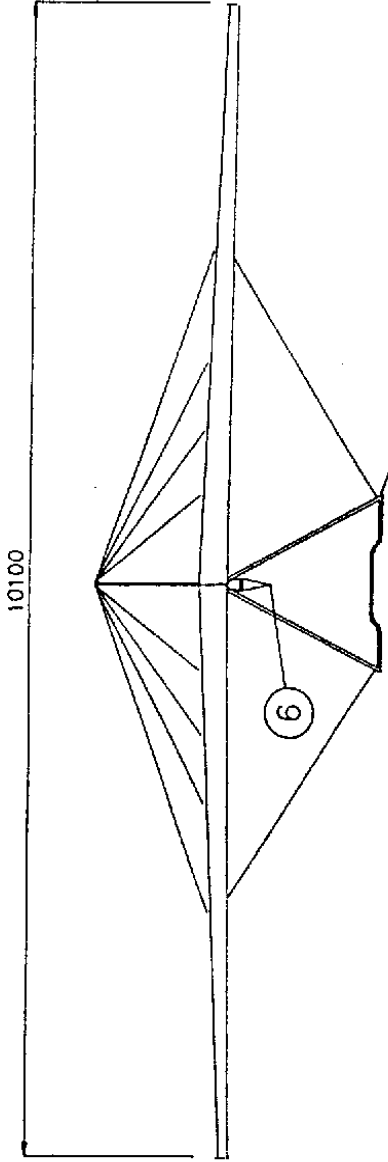


RUMOUR 3

14

Parts Catalogue

Cyclone Airports Ltd trading as Pegasus Aviation
Elm Tree Park, Manton, Marlborough, Wiltshire. UK
Telephone +44 (0) 1672 861578 Fax +44 (0) 1672 861550
www.pegasusaviation.co.uk email - parts@pegasusaviation.co.uk

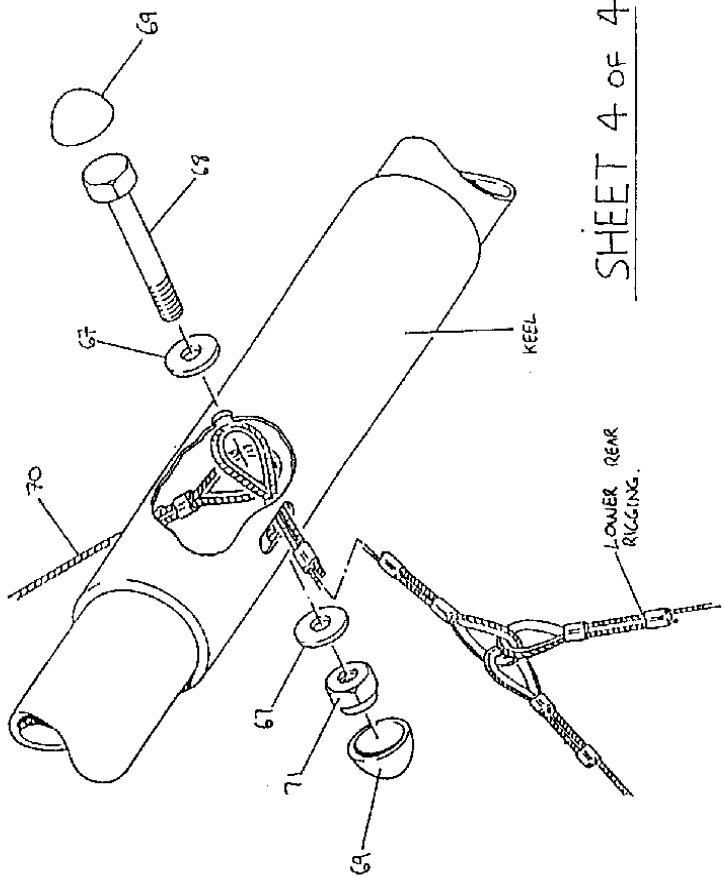


3530

RUMOUR 14 (VB on)
SHEET 1 OF 4

Min pilot clip-in weight 68kg
Max. Pilot Clip-in weight: 90 kg (198.4 lbs)
Wing area 14.1sqm
Weight without Packing (dry): 30.7 kg (67.7 lbs)

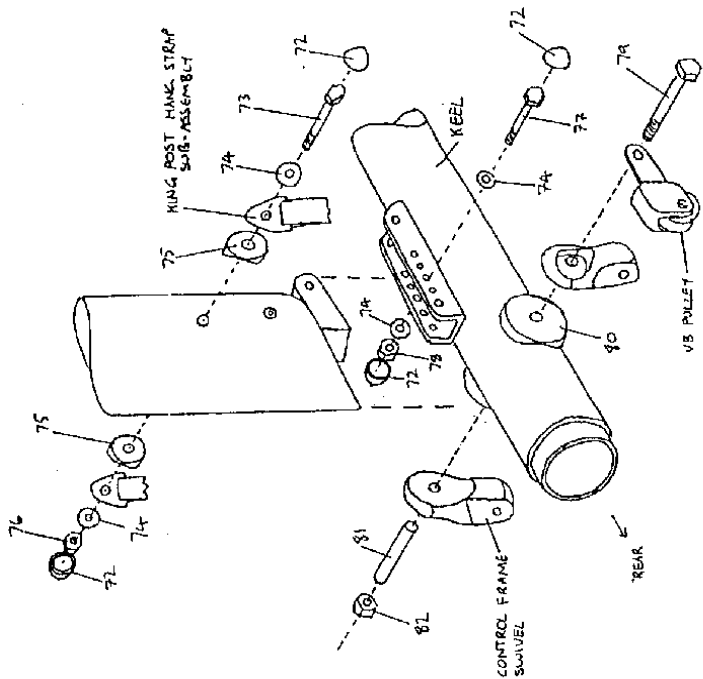
Item	Description	Part Number	Quantity	Drawing No.
1	LEADING EDGE SUB-ASSEMBLY	TRC-31000	1	SW-89101
2	KEEL SUB-ASSEMBLY	TRC-31300	1	SW-89102
3	CROSS SPAR SUB-ASSEMBLY	TRC-31600	1	SW-89106
4	CONTROL FRAME SUB-ASSEMBLY	TRC-50000	1	SW-89429
5	KING POST SUB-ASSEMBLY	TRC-60000	1	SW-89428
6	KING POST HANG STRAP SUB-ASSEMBLY	TRC-31305	1	SW-89427
<p>RUMOUR THREE 14M ASSEMBLY</p> <p>Part No. TRC-20000</p> <p>SOLAR WINGS Ltd. 56 George Lane Marlborough Wiltshire SN8 4BY Tel: 0672 - 55066</p>				
		Drawn	Date	Name
		Approved	060883	T. CLARKE
		Checked		
		Scale 1:50		Jig No.
		Description of revision		Date
		A INITIAL ISSUE		060893
		Approved		Approved
		Drawing No.		SW-89103
		General Tolerance		1/8±0.1 over 30/100±0.3 over 300/1000±0.8
		Dimensions (mm)		over 6/30±0.2 over 100/300±0.5 over 1000/2000±1.2
				Substituted for
				Replaced by



SHEET 4 OF 4

UPPER & LOWER REAR RIGGING ASSEMBLY

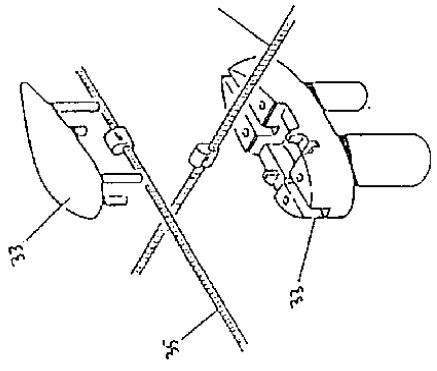
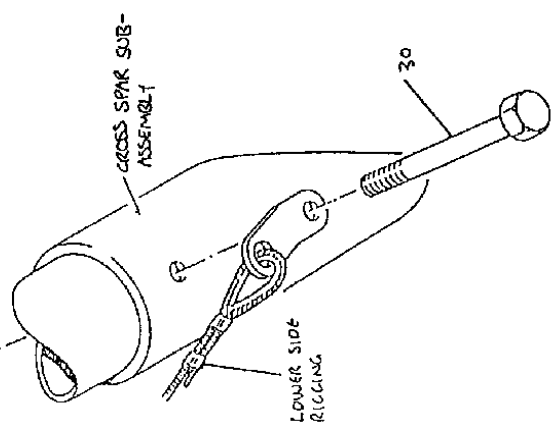
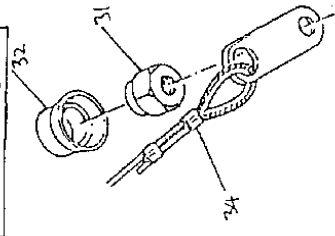
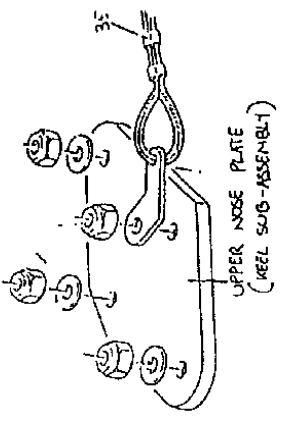
Item Part No.	Description	Quantity	DRAWING No.
67	6 mm Skiffy Ring only	2	
68	2-1/4" x 1/4" UNF Hex. Bolt	1	
69	6 mm Raised Skiffy - Cap only	2	
70	Upper Rear Rigging	1	SW-90277A
71	1/4" UNF x 0.437" Thin Nylock Ins. Nut	1	



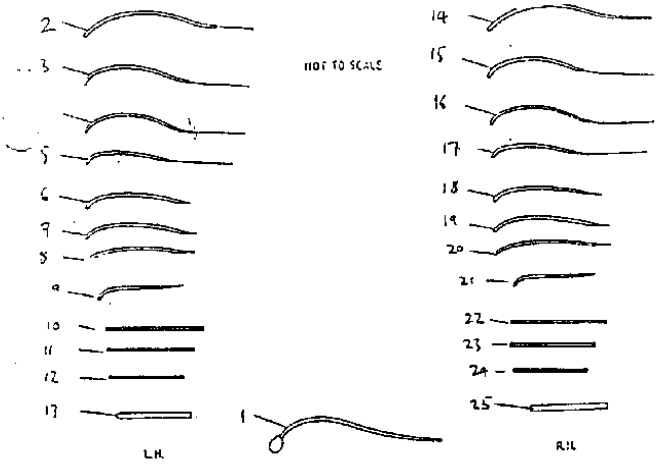
ITEM	PART NUMBER	DESCRIPTION	QUANTITY
72	PMC-RSC-6	SKIFFY CAP - 6mm	4
73	FBU4-16	1 3/4" x 1/4" BOLT	1
74	PMC-SG6	SKIFFY WASHER	4
75	PM5-M8-215	1 1/8" M8 SADDLE	2
76	FN04-NT	1/2" 1" TYPE NUT (NYLOCK)	1
77	FM84-35	6mm 35mm HEX BOLT	1
78	FN68-NT	6mm 1" TYPE NUT (NYLOCK)	1
79	FB04-33A	M24-33A HEX. BOLT	1
80	PM5-M8-17	1-7/8" x M8 PLASTIC SADDLE	2
81	ZSP-019	STEEL KEEL BUSH - R TYPE	1
82	FA04-NP	1/4" UNF 1" TYPE NYLOCK NUT	1

RUMOUR 3 14-A-A ASSEMBLY		PART No. - 14-A-A-010	
SOLAR WINGS LTD	ISS	DATE	NAME
ELM TREE PARK	APPROVED	6/16/83	T. CLARKE
MANTON	CHECKED		
MARLBOROUGH			
WILTSHIRE			
SNS IPS			
TEL: 0672 95579			
	INITIAL ISSUE	DESCRIPTION OF REV/DATE	APPROVE
	A		6/16/83
DRAWING No.			SW-89103

RUNOUR 3 144A
 SOLAR WINGS LTD.
 ELM TREE PARK
 MANOTON, MARLBOROUGH
 MK45, SN8 1PS
 TEL 0672 86578
 DRAWN 6/9/93
 DATE 6/9/93
 SW-89103
 DRAWING NO. SW-89103
 PART. 1
 DYNAMIC NO. 1
 PARTS OF REV. DATE APPROVED
 ASSEMBLY



SHEET 2 OF 4

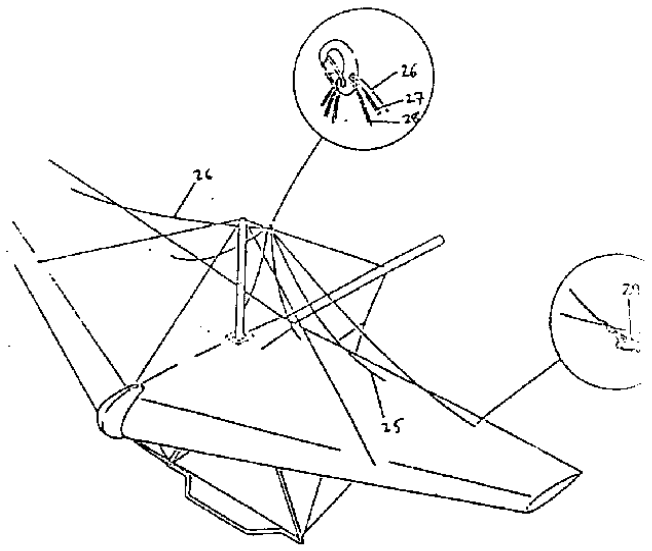


21 RIBS -RG-70000

Item Part No.	Description	Quantity
1	Center Rib	1
2	No. 1 Left hand Upper Rib	1
3	No. 2 Left hand Upper Rib	1
4	No. 3 Left hand Upper Rib	1
5	No. 4 Left hand Upper Rib	1
6	No. 5 Left hand Upper Rib	1
7	No. 6 Left hand Upper Rib	1
8	No. 7 Left hand Upper Rib	1
9	No. 8 Left hand Upper Rib	1
10	No. 1 Left hand Lower Rib	1
11	No. 2 Left hand Lower Rib	1
12	No. 3 Left hand Lower Rib	1
13	Left hand Comp Strut	1
14	No. 1 Right hand Upper Rib	1
15	No. 2 Right hand Upper Rib	1
16	No. 3 Right hand Upper Rib	1
17	No. 4 Right hand Upper Rib	1
18	No. 5 Right hand Upper Rib	1
19	No. 6 Right hand Upper Rib	1
20	No. 7 Right hand Upper Rib	1
21	No. 8 Right hand Upper Rib	1
22	No. 1 Right hand Lower Rib	1
23	No. 2 Right hand Lower Rib	1
24	No. 3 Right hand Lower Rib	1
25	Right hand Comp Strut	1

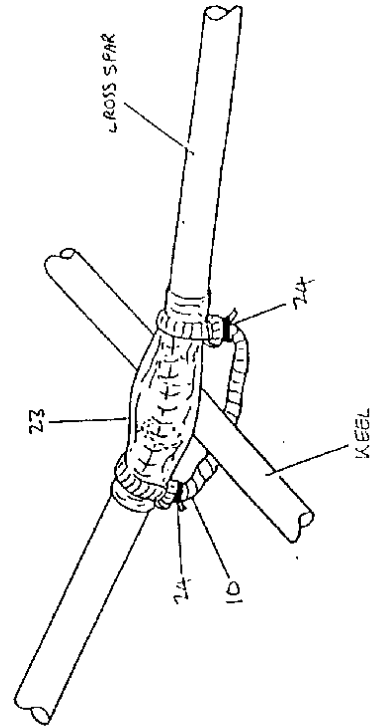
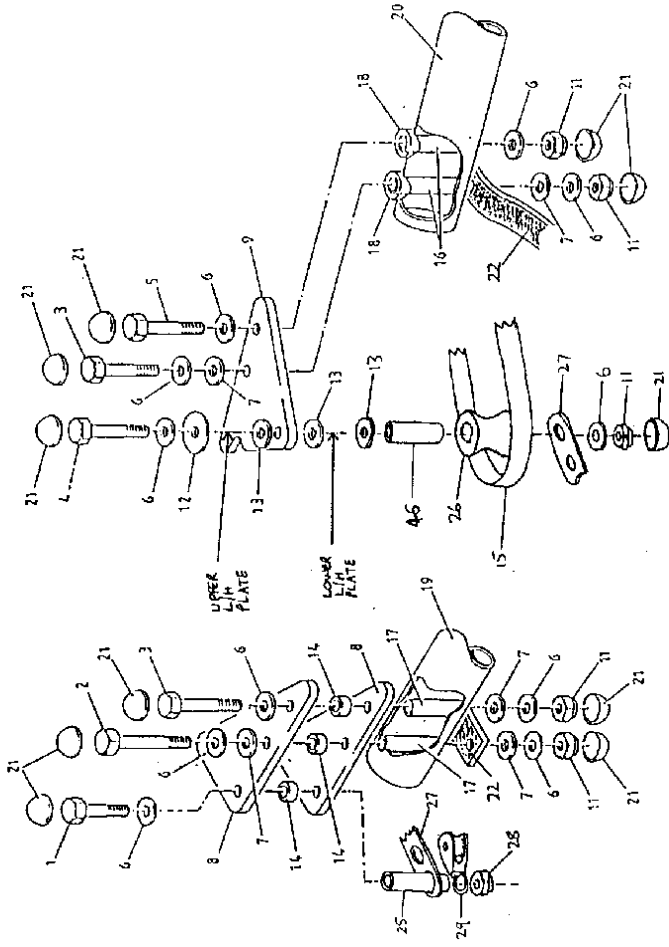
RIGGING WIRES

Item Part No.	Description	DRAWING No.	Quantity
30	FBU4-30		1
31	FNU4-NP		1
32	PMC-NUT		1
33	PMC-002		1
34	YSG-62100		1
35	YSG-62200		1
	3" x 1/4" UNF Bolt		1
	1/2" NUTLOCK 'P' TYPE NUT		1
	1/2" NUT CAP		1
	Aerofoil/King Post cap		1
	Upper Side Rigging	SW-90234	1
	Upper Front Rigging	SW-90274	1



23 LUFF LINE ASSEMBLY

Item Part No.	Description	DRAWING No.	Quantity
26	Outer Luff Line	SW-40240	1
27	Middle Luff Line		
28	Inner Luff Line		
29	FPSR-002		6



DRAWING No.	Item Part No.	Description	Quantity
	1	6mm x 50mm HEX. Bolt	1
	2	3-1/2" x 1/4" UNF. HEX. Bolt	1
	3	3-1/4" x 1/4" UNF. Hex. Bolt	2
	4	1 3/4" x 1/4" UNF. Hex. Bolt	1
	5	3" x 1/4" UNF. Hex. Bolt	1
	6	6 mm Skiffy - Ring only	5
	7	1/4" Mild Steel Washer 14LP	2
	8	Unslotted Cross Spar Plate - R Type	1
	9	Slotted Cross Spar Plate - R Type	1
	10	ANTI FLOAT WESSING	1
	11	1/4" UNF 0.437" Thin Nylock Ins. Nut	6
	12	1-1/4" x 1/4" x 1/16" Mild Steel Washer	2
	13	1-1/4" out/dia. x 5/16" Nylon Washer	3
	14	Crossbar Spacers - Steel	3
	15	Restraint Webbing	1
	16	Crossbar Bushes, H30RF 63.5 - R Type	2
	17	Crossbar Bushes, H30RF 60 mm - R Type	2
	18	2-1/4" Saddle Mod 3/8" hole	2
	19	-- Right hand Cross Spar	1
	20	-- Left hand Cross Spar	1
	21	6 mm Raised Skiffy Cap only	11
	22	Cross Spar Support Hex	1
	23	Cross Spar Protection Cover	1
	24	Long Cable Tie 4.6 x 280 mm	2
	25	SPACER BUSH 20x10x6.5	1
	26	ROLLER	1
	27	TANG	1
	28	6mm Nylon Nut 'T' TYPE PULLEY	1

SHEET 1 OF 2

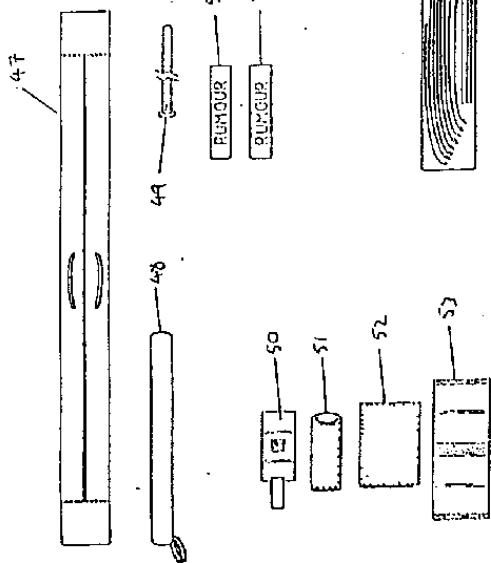
APPROVED		ISSUED		DATE	
DESIGNED	6/8/83	INITIAL ISSUE	6/8/83		
CHECKED		DESCRIPTION OF REVISION			
DRAWING No. SIN-20012					

CROSS SPAR SUB-ASSEMBLY

REVISED 3 14MM PARTS - IRG-3100

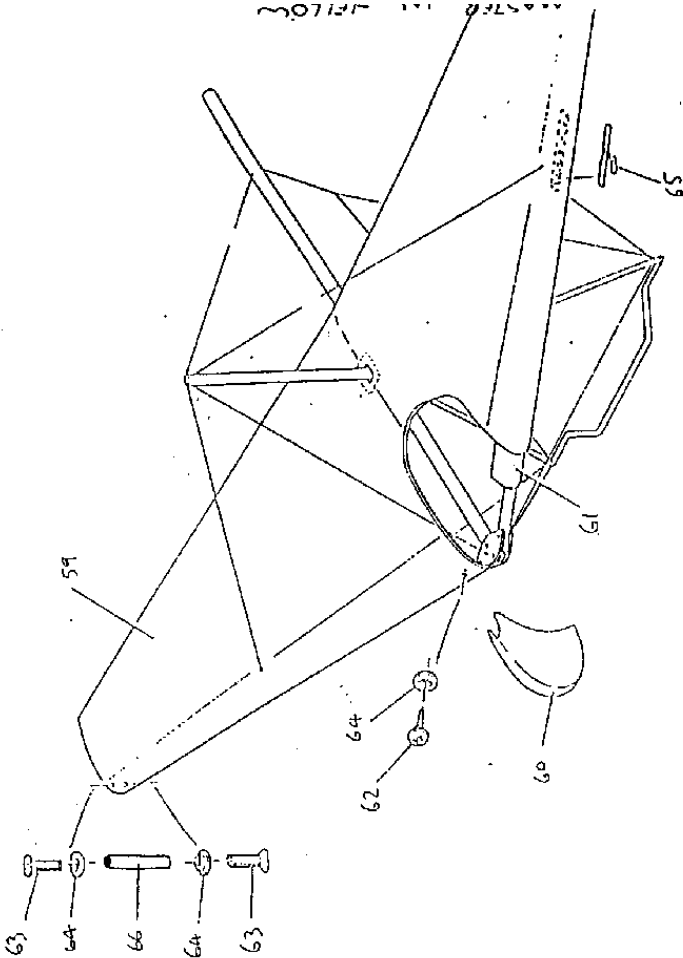
SOLAR WINGS LTD
ELM TREE PARK
MANTON
MARRSDROUGH
WILTSHIRE
SN5 1PS

RUMOUR 3 14M		PART NO. 7122-010		ASSEMBLY	
SOLAR WINGS LTD	DESIGN	6/9/93	T. CLARKE		
ELM TREE PACK	APPROVED			INITIALS	6/9/93
MANTON	CHECKED			OPERATION OR RES. DATE	APPROVED
MARLBOROUGH				DRAWING NO.	SW-89103
WILTSHIRE	DATE		NAME		
SMS IPS					
TEL: 0872 86578					



SHEET 3 OF 4
19 SAIL, CARRYING & PACKING ASSEMBLIES

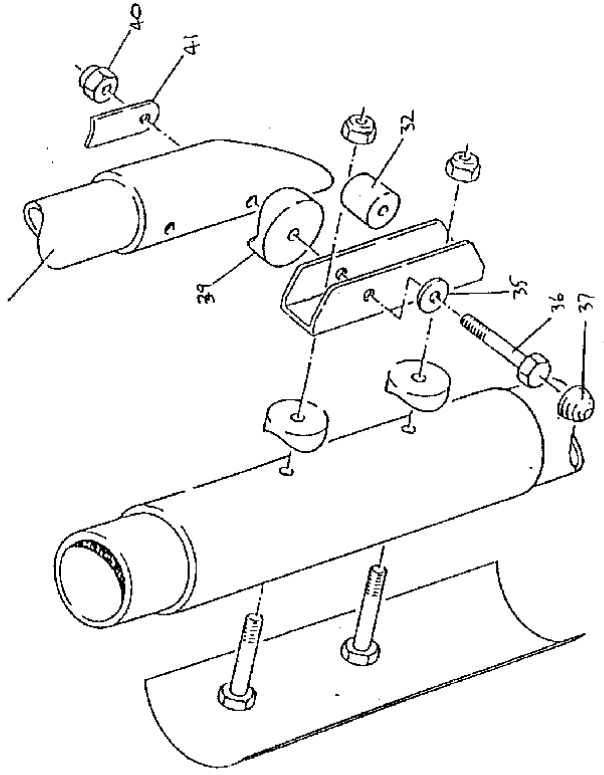
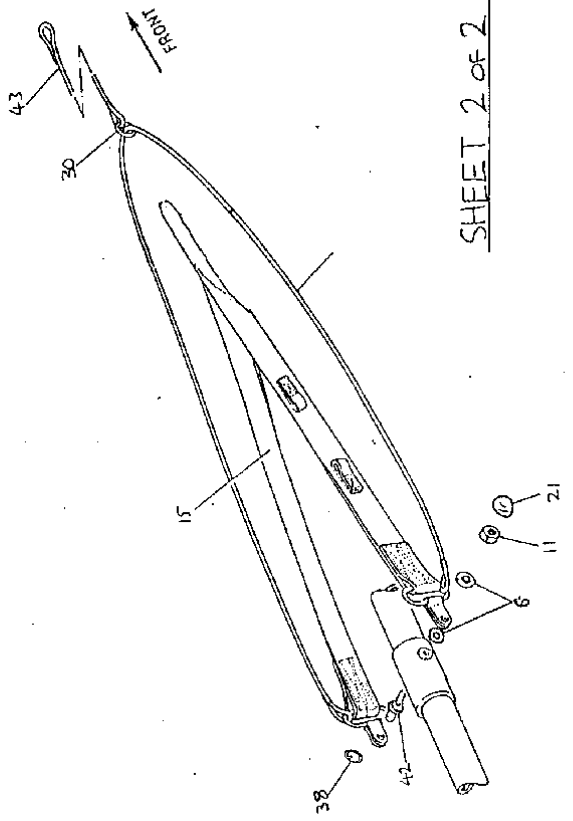
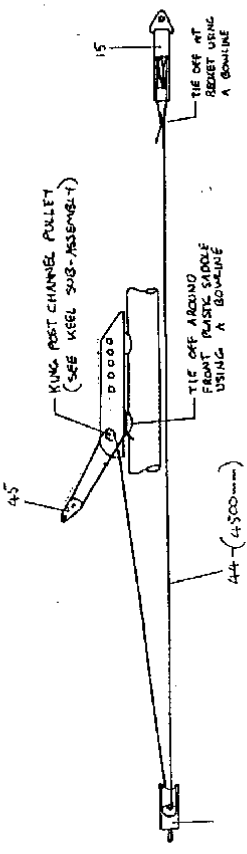
Item Part No.	Description	Quantity
47	V24-053 Carrying Bar	1
48	V21-060 30 mm Vel Straps 1250/910L - 30 VS	1
49	V210-002	1
50	V24-065	1
51	V24-030	1
52	V24-073	1
53	V24-070	1
54	V27-001	1
55	V27-002	1
56	D2-011	1
57	D04-001	1
58	D04-002	1



SHEET 3 OF 4
20 MAIN SAIL ASSEMBLY

Item Part No.	Description	Quantity
59	V24-025	1
60	V21-043	1
61	V24-043	1
62	V24-043	1
63	V24-043	1
64	V24-043	1
65	V24-043	1
66	V24-043	1

SW-90043



LEADING EDGE TO CROSS SPAR ASSEMBLY

Item	Part No.	Description	Quantity	DRAWING No.
30	GEN-001	8mm SKIFFY RING ONLY	2	---
31	UNR-001	8mm RALIT ANTIION CORO	2	---
32	ZSP-001	ACE Leading Edge Channel Spacer	2	---
33	FMS-001	8mm RALIT SHAKEPROOF WASHER	2	---
34	FMS-002	8mm SKIFFY RING ONLY	2	---
35	FMS-003	2-1/2" x 5/16 UNF Hex. Bolt	2	---
36	FMS-004	8mm RALIT SKIFFY - Cap only	2	---
37	FMS-005	SAFETY RING	2	---
38	FMS-006	2-1/2" x 1/2" x 1/8 Plastic Saddle	2	---
39	FMS-007	5/16" UNF P TYPE Nylon Nut	2	---
40	FMS-008	1/2" Round Spacer R Type	2	---
41	ZSP-002	RESTRAINT STUO	1	---
42	FMS-009	3mm SHOCK CORO	1	---
43	VPS-001	4mm 8 PLAIT CORO	1	---
44	VRK-001	MACRO 216 INLINE 19mm	1	---
45	RP-14	1/2 CROSS SPAR SPACER	1	---
46	ZSP-003		1	---

SHEET 2 of 2

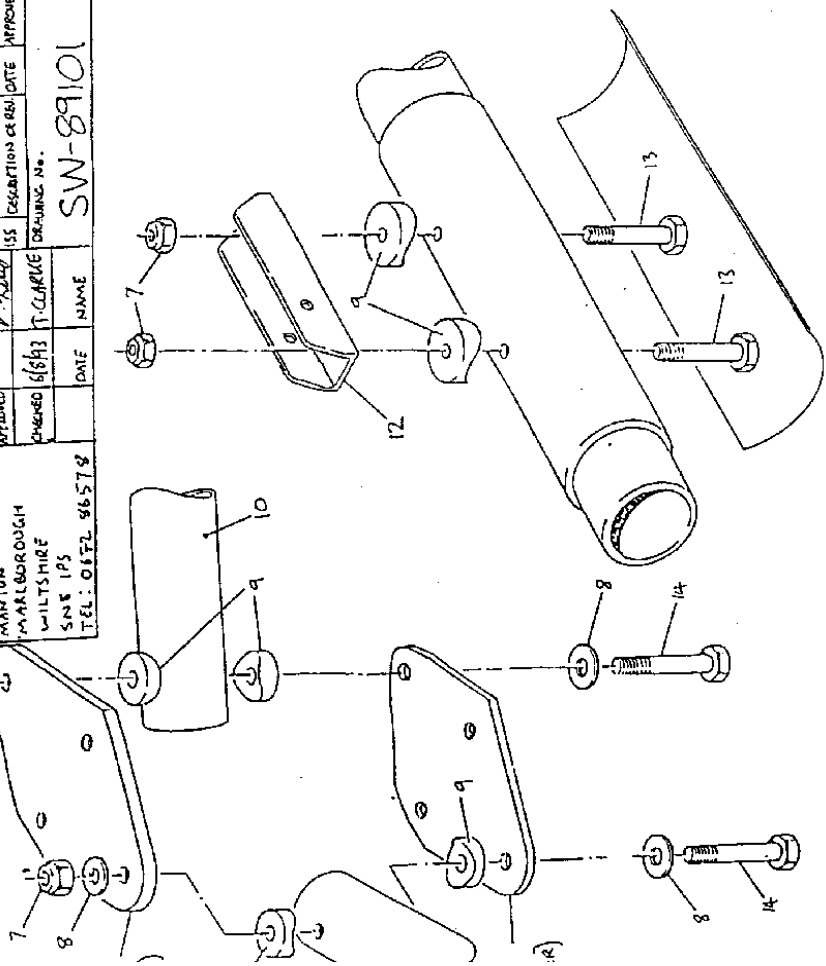
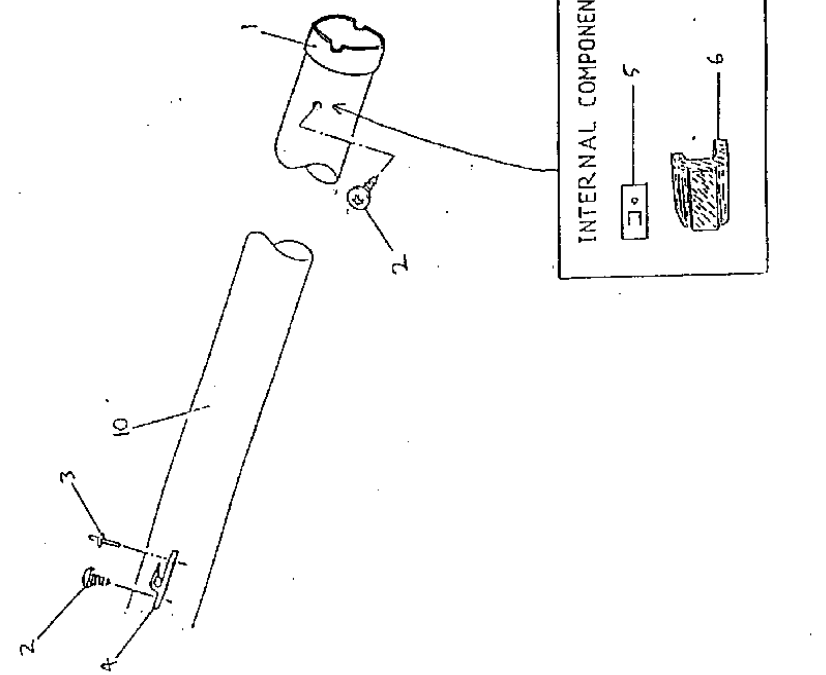
RUMOUR 3 TAM	PART No 100-31600		
CROSS SPAR SUB-ASSEMBLY			
SOLAR WINGS LTD	DESIGN 413/431 CLIMATE	INITIAL ISSUE	6/8/92
ELM TREE PARK	APPROVED	ISS	
MANTON		DESCRIPTION OR BSI CODE	APPROVE
MARLBOROUGH		DATE	NAME
WILTSHIRE			
SN8 IPS			
TEL: 01275 565713			

5W-89016

RUMOUR 3 14mm PART No 712-31200
LEADING EDGE SUB-ASSEMBLY
 SOLAR WINGS LTD
 ELM TREE PARK
 MANTON
 MARLBOROUGH
 WILTSHIRE
 SN6 1PS
 TEL: 01272 96578

DESIGNED	DATE	NAME	ISS	DESCRIPTION OR REV. DATE	APPROVED
CHANGED 6/8/83		T. CLARKE	4	INITIAL ISSUE 6/8/83	

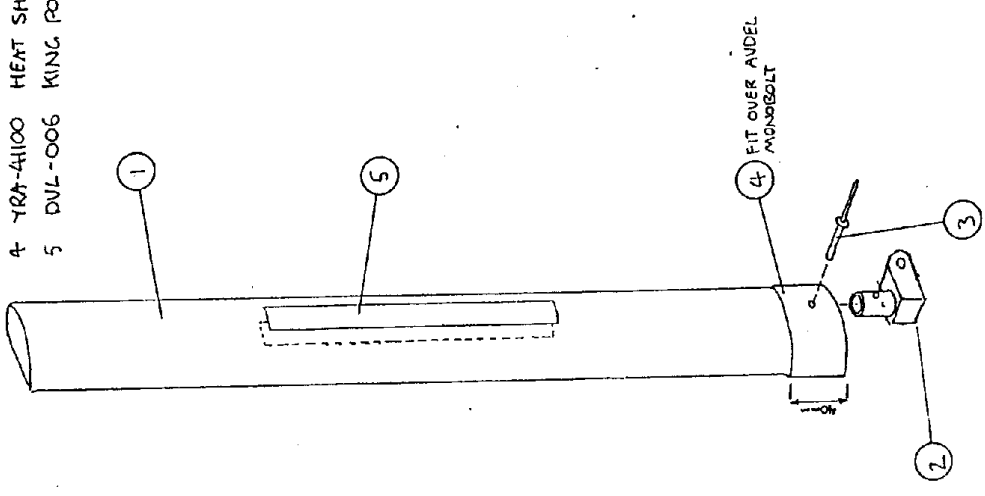
10188M
 SW-89101



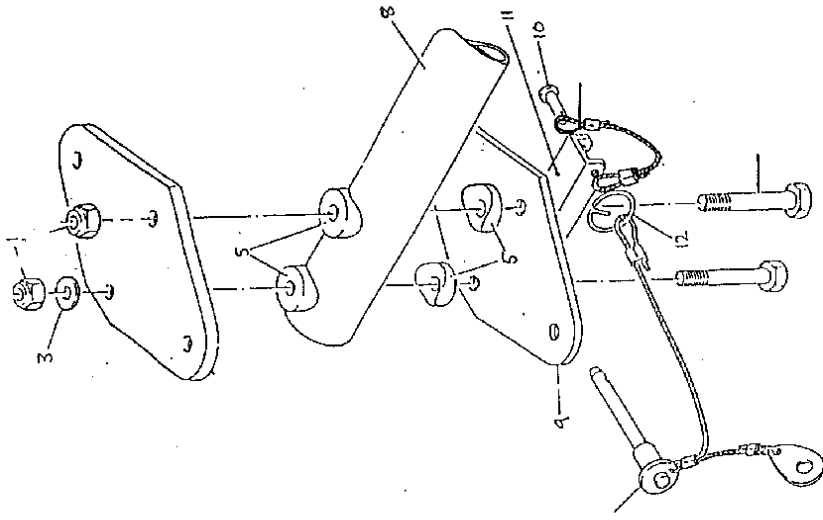
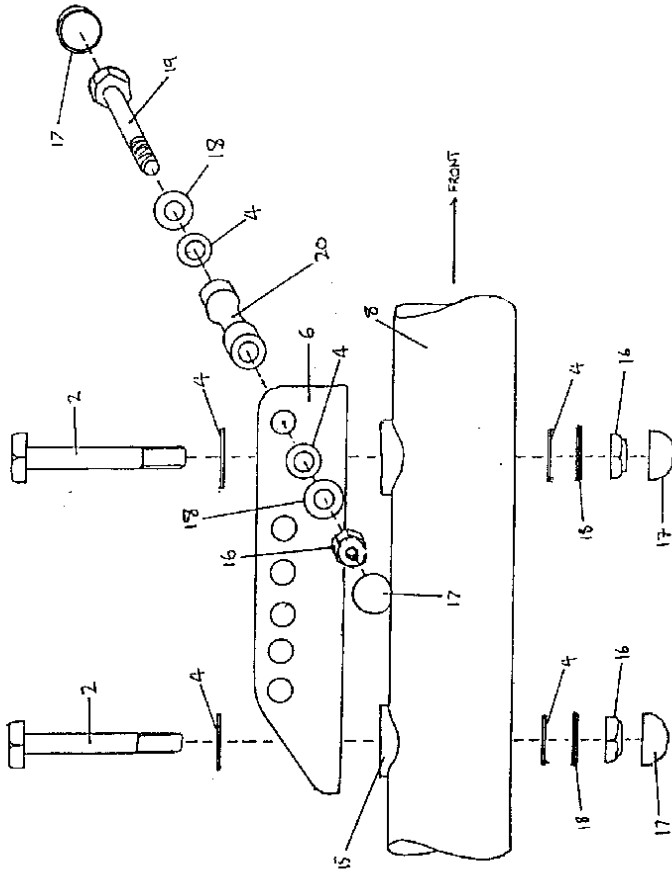
Item Part No.	Description	Quantity	DRAWING No
1	ZMA-CMO TIP TURN ADJUSTER	2	SW-00044
2	FMSST-001 NO. 12 x 3/4" Pan Head POS Self/Tapscrew	4	
3	FRA-16-001 1/8" Dia. x 1/2" Alloy Pop Rivet	2	
4	FHX-005 Jam Clear Nylon 67 mm 5x12x	2	
5	FNX-002 No. 12 U Type Splice Nut	2	
6	FHM19-001 22 mm Pipe Insulation Climatube	3	

Item Part No.	Description	Quantity	DRAWING No.
7	FBU4-NP 1/4" UNF 2 Type Nylock Nut	6	
8	FHA-T4 Washer, 1/4"	4	
9	FAS-HB-17 HB Plastic Saddle	8	
10	712-31200 Right Hand Leading Edge Assembly	1	SW-89015
11	712-31100 Left Hand Leading Edge Assembly	1	SW-89015
12	ZEH-003 ACE LEADING EDGE CHANNEL	2	SW-89028
13	FBU4-24 2-1/2" x 1/4" UNF HEX. BOLT	4	
14	FBU4-26 2-1/4" x 1/4" UNF Hex. Bolt	2	

- 1 YRA-4100 KING POST 1 SW-81023
- 2 ZMA-336 KING POST FOOT 1 SW-9004
- 3 FR6-12-002 3/16" DIAMETER x 3 1/8" 1 --
- AVDEL MONOBOLT
- 4 YRA-4100 HEAT SHRINK 1 --
- 5 DVL-006 KING POST STICKER 2 --



YRC-4000 R21002 2/3					
KING POST SUB-ASSEMBLY					
SOLAR WINGS LTD.	DESIGN	6/8/70	TALKAW	A	INITIAL ISSUE
ELM TREE PARK	APPROVED				4/8/73
MANTON	CHECKED				DESCRIPTION OF REV. DATE
MARLBOROUGH					DRAWING No.
WILTSHIRE					SW-89928
SNS IPS					
TEL: 0672 55578					



Item Part No.	Description	Quantity
1	1/4" UNF x 0.437" THIN Nylcock Ins. Nut	2
2	6mm x 60mm HEX. BOLT	2
3	WASHER, 1/4"	1
4	WASHER, 1/4"	4
5	M8 Plastic Saddle	1
6	M8C POST CHANNEL	1
7	NOSE HAND LOOP	1
8	Keel Tube	1
9	Nose Plate	1
10	1/4" x 3/16" Steel Clevis Pin	1
11	Nose (S) Catch Channel	1
12	S78" Safety Ring	2
13	2-3/4" x 1/4" UNF Hex. Bolt	1
14	22 mm Push Pin	1
15	2 1/2" x 3/8" SADDLE	2
16	6mm 1/2" TYPE NUT (Nylcock)	2
17	SKIFFY CAP - 6mm	2
18	SKIFFY WASHER - 6mm	2
19	6mm x 35 HEX. BOLT	1
20	PULLEY	1

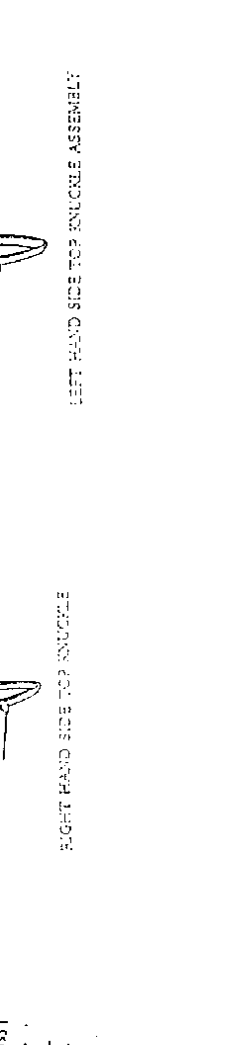
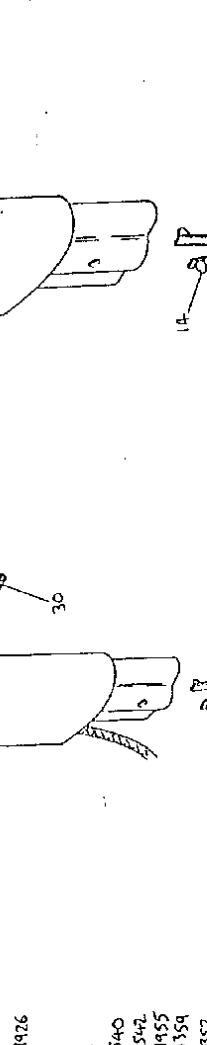
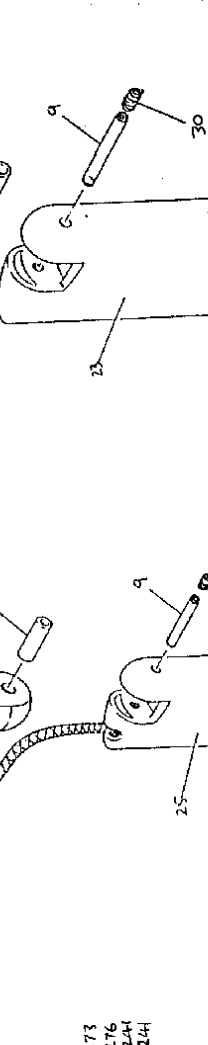
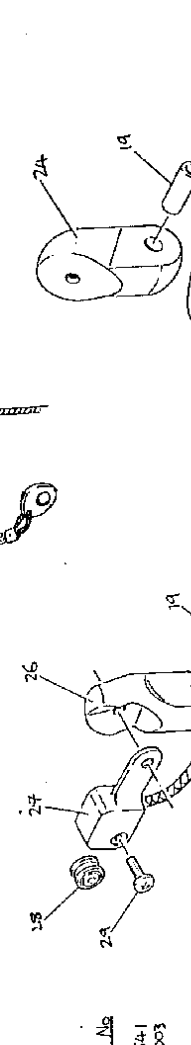
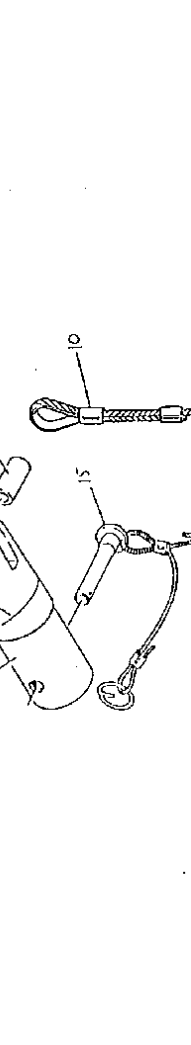
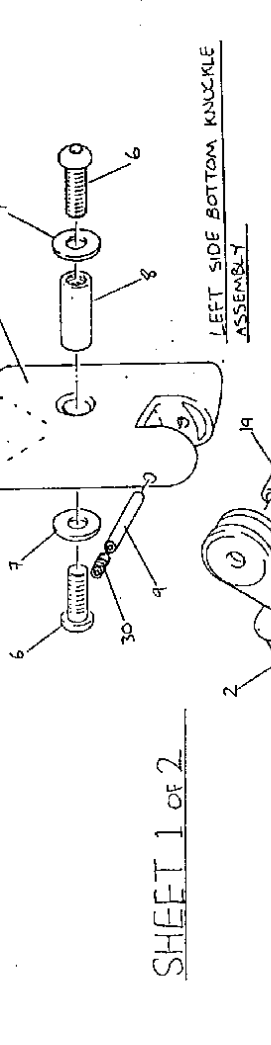
KEEL SUB-ASSEMBLY		PART No.	
RUMOUR TWO 14M		-REC-51300	
RUMOUR THREE 14M		6/8/93 T. CLARKE	
SOLAR WINGS LTD	APPROVED	ISS	DATE 16/8/93
ELM TREE PARK	CHANGED	DESCRIPTION OR REV/DATE	APPROVED
MANTON			
MARLBOROUGH			
WILTSHIRE			
SMS IPS			
TEL: 0577 855718			
	DATE	NAME	DRAWING No.
			SWF-89102

RUMOUR 3
 PART NO. 74C-5000
 SUB-ASSEMBLY
 DENON 161953 T. CLERGE
 APPROVED
 CHARGED
 DATE NAME
 SW-89979
 DRAWING No.

APPROVED	DATE	NAME
INITIAL ISSUE	DATE	APPROVED
ISS	DESCRIPTION OF REV.	DATE

SOLAR WINCH LTD
 ELM TREE PARK
 MANTON
 MARLBOROUGH
 WILTSHIRE
 SN8 1PS
 TEL: 0671 865713

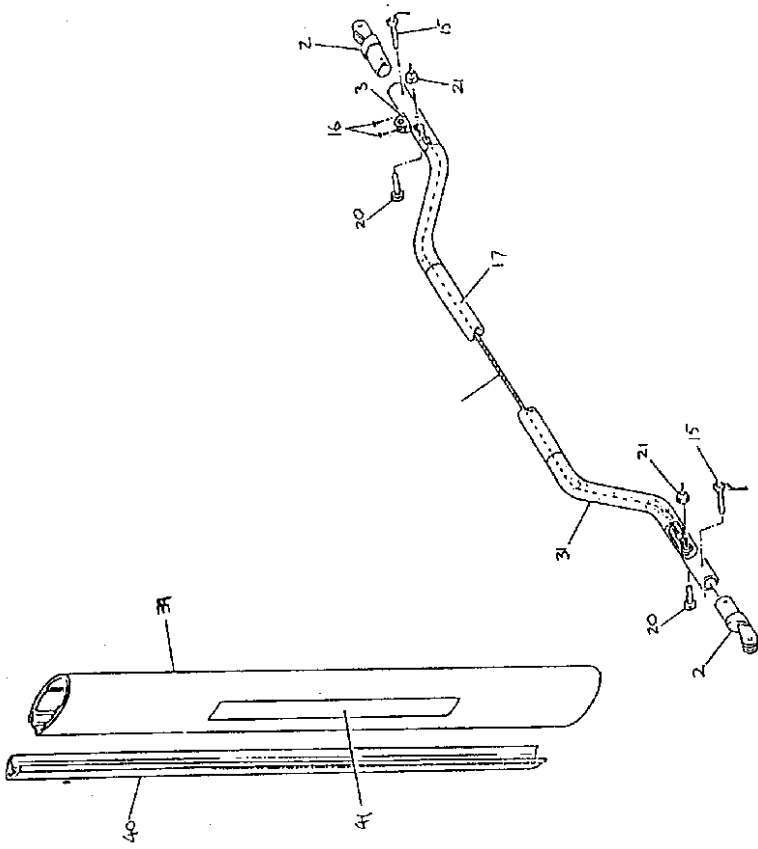
SHEET 1 OF 2
 LEFT SIDE BOTTOM KNUCKLE ASSEMBLY



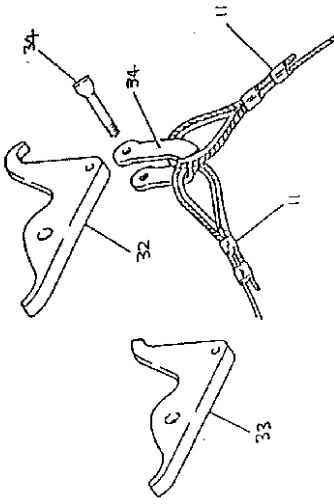
Item Part No.	Description	Quantity	DRAWING No
1	ZXN-118 Control Frame Lower Casting MCV8	2	SW-88541
2	ZXN-114 Base Bar Knuckle - R Type	2	SW-89003
3	RH-2 6 mm Lence Cleat - R3595	4	
4	ZMA-016 R Aluminium V8 Pulley	4	
5	BEA-016 Glacier Bush Bearing	4	
6	FMSU-001 10NF * 3/8" Button Cheesehead PVC Patch	2	SW-90173
7	FMS-T3 3/16" Mild Steel Washer T3LP	4	SW-90276
8	FNX-001 10NF * 5/16" O/D * 20 mm Thread Conn.	4	SW-90244
9	ZMA-156 Control Frame Hinge Pin	4	SW-90244
10	YRC-61100 Lower Side Rigging	2	SW-89426
11	YRG-61200 Lower Front Rigging	2	
12	YRA-61300 Lower Rear Rigging	2	
13	YRA-53500 V8 Rope	2	
14	FP-002 Double Button Clip Steel Pin	2	
15	FR-16-001 36 mm Push Pin	2	
16	FR-16-001 1/8" dia * 1/2" Alloy Pop Rivet	2	
17	YRA-51201 Speed Set Cable	2	
18	YRA-61400 Knuckle Pivot Bearing, Delrin	2	
19	FP-015 1-1/2" * 1/4" UNF Hex. Bolt	2	
20	FSUA-14 1/4" UNF Type Nylon Nut	2	
21	FNUA-NP CONTROL FRAME LOWER CASTING	2	
22	ZKN-117 CONTROL FRAME TOP CASTING	2	
23	ZMA-115 CONTROL FRAME SWIVEL	2	
24	ZMA-013 CONTROL FRAME TOP CASTING	2	SW-38540
25	ZNK-116 CONTROL FRAME TOP CASTING	2	SW-88542
26	ZMA-014 CONTROL FRAME SWIVEL (V8)	2	SW-89455
27	ZMA-017 PULLEY BLOCK - V8	2	SW-90359
28	RP-10 MICRO BALL BEARING BLOCK	2	SW-90357
29	FMQ34-15 M4x15 mm GRAS P/B HEAD 1/4"REW PART 14	2	

LEFT HAND SIDE TOP KNUCKLE ASSEMBLY

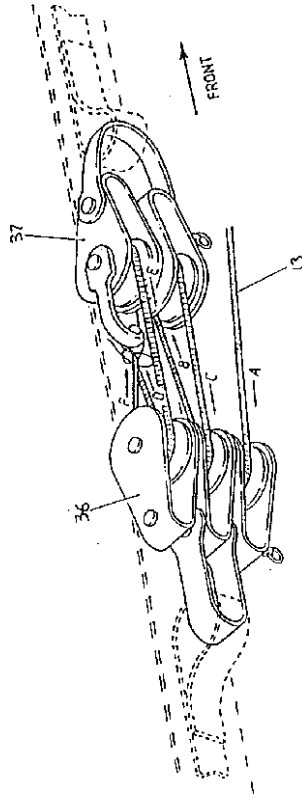
RIGHT HAND SIDE TOP KNUCKLE



Item Part No.	Description	Quantity	Drawing No.
39	Hockey stick grips	2	SW-88144
40	S. CATCH, ANODISED (JVA, USERSON)	1	---
31	S. CATCH, ANODISED (GREENMAN)	1	---
32	5 mm STRIP SHACKLE, 50x3x54	1	---
33	TANGLE BLOCK TFO05-R TYPE	1	---
34	DOUBLE BLOCK AND BRACKET - R TYPE	1	---
39 } 40 } 41 }	R Control Frame Side Assembly	2	SW-88024



SHEET 2 OF 2



RUMOUR 3 14-1		PART NO. 782-50000	
CONTROL FRAME SUB-ASSEMBLY			
SOLAR WINGS LTD	DESIGNED BY	DATE	NAME
ELM TREE PARK	6/1/89	1/8/89	
MANTON	APPROVED	ISS	DESCRIPTION OF REV. DATE APPROVED
MARLBOROUGH	CHECKED		
WILTS HIRE			
SMS IPS			
TEL. 01252 565715			
			DRWG. NO. SW-89929

39