



RUMOUR 1 14.5 Parts Catalogue

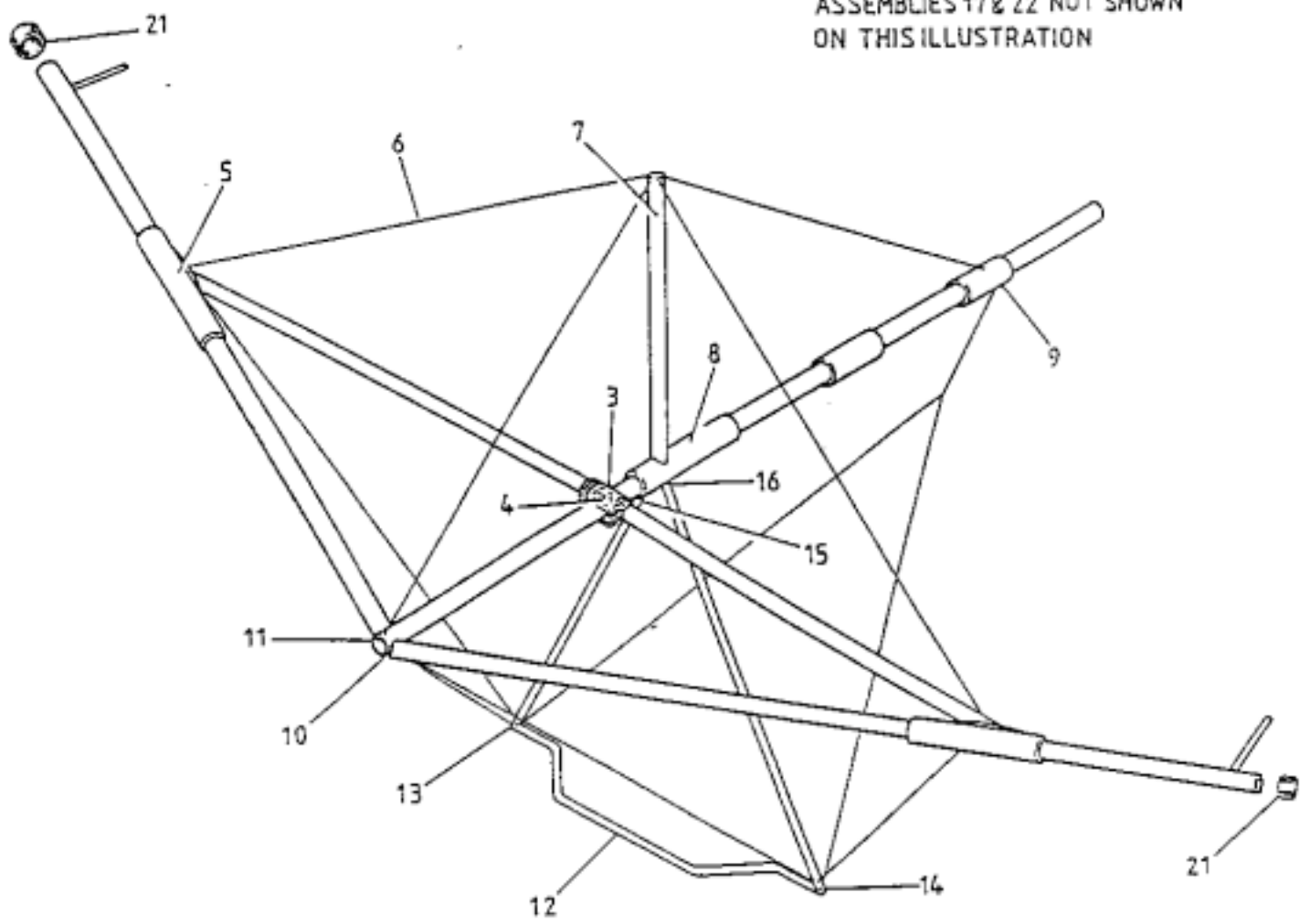
Cyclone Airsports Ltd trading as Pegasus Aviation
Elm Tree Park, Manton, Marlborough, Wiltshire. UK
Telephone +44 (0) 1672 861578 Fax +44 (0) 1672 861550
www.pegasusaviation.co.uk email - parts@pegasusaviation.co.uk

RUMOUR 14.5 M HANG GLIDER

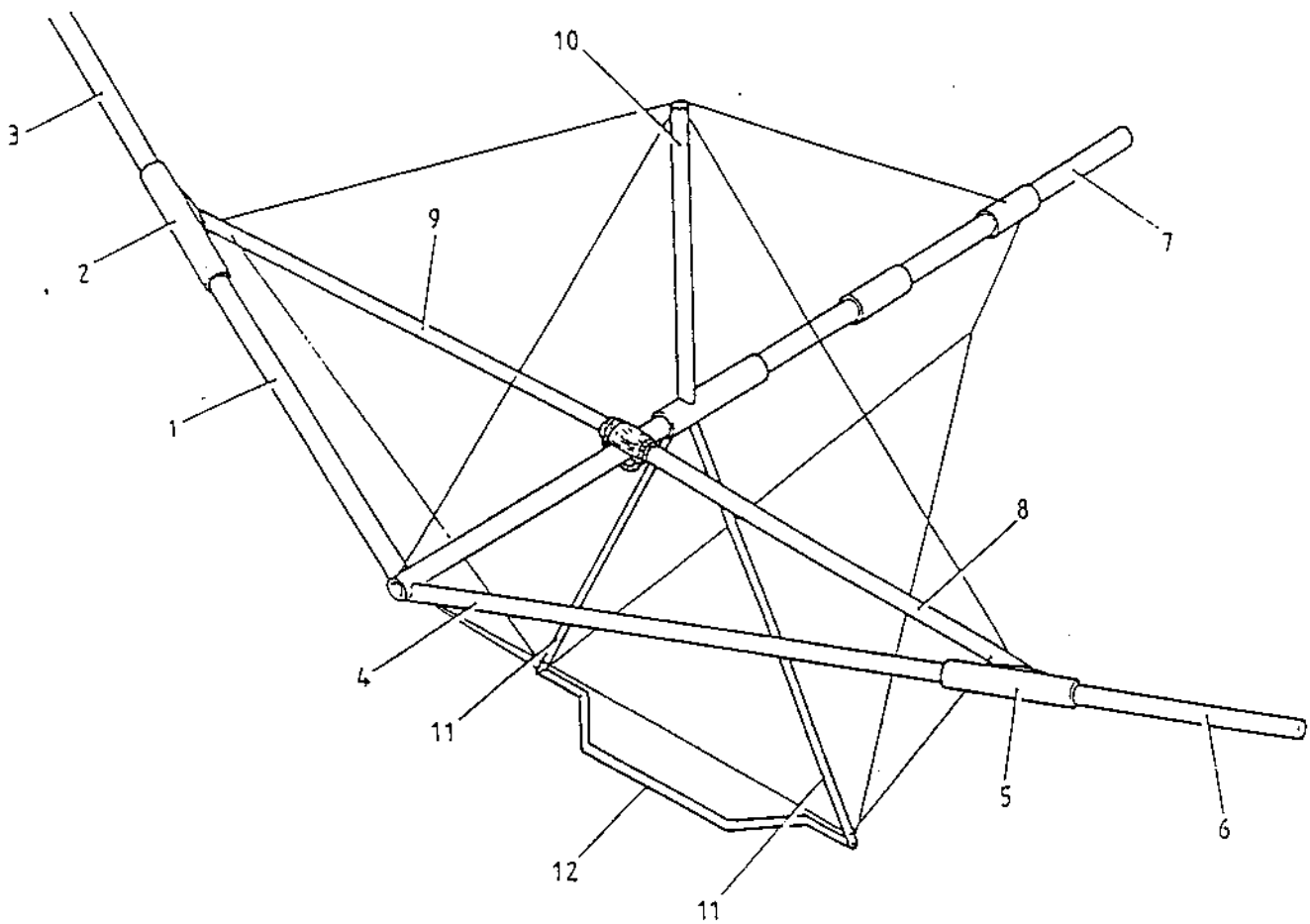
Assembly

- 1 Airframe Assemblies
- 2 Airframe Main Tubes
- 3 Cross Spar Centre Assembly
- 4 Cross Spar/Keel Assembly
- 5 Leading Edge to Cross Spar Assembly
- 6 Upper and Lower Rigging Wires
- 7 King Post Assembly
- 8 King Post to Keel Assembly
- 9 Upper and Lower Rear Rigging Assembly
- 10 Nose Catch Assembly
- 11 Nose Plate Assembly
- 12 Speed Bar & Control Frame Side Assemblies
- 13 Right Hand Side Bottom Knuckle
- 14 Left Hand Side Bottom Knuckle Assembly
- 15 Right Hand Side Top Knuckle
- 16 Left Hand Side Top Knuckle Assembly
- 17 Restraint Webbing to Keel Assembly
- 18 Variable Billow Assembly
- 19 Sail, Carrying and Packing Assemblies
- 20 Main Sail Assembly
- 21 Ribs
- 22 Washout Rod/Tip Adjuster Assembly
- 23 Luff Line Assembly

ASSEMBLIES 17 & 22 NOT SHOWN
ON THIS ILLUSTRATION

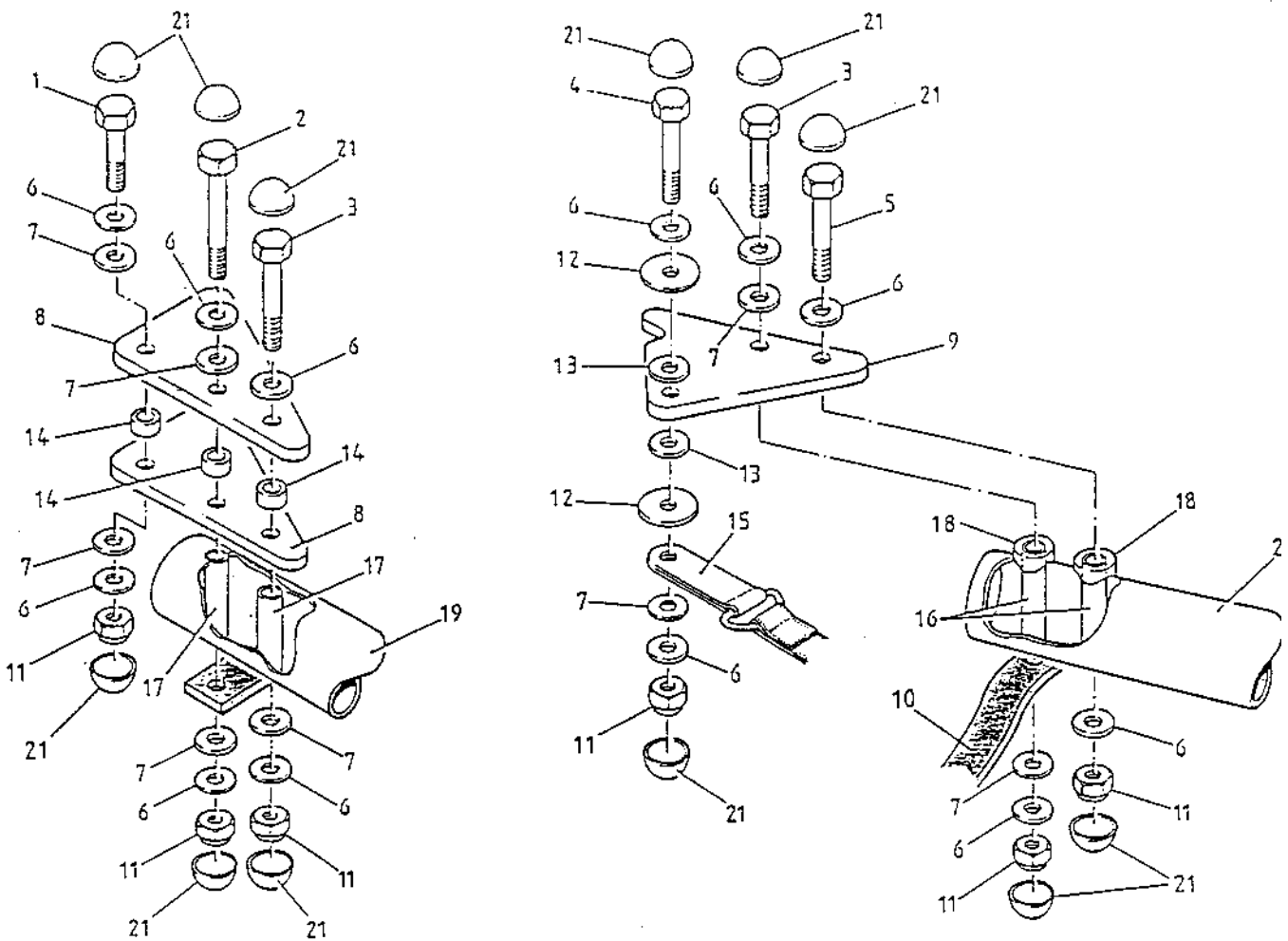


1 AIRFRAME ASSEMBLIES



2 AIRFRAME MAIN TUBES

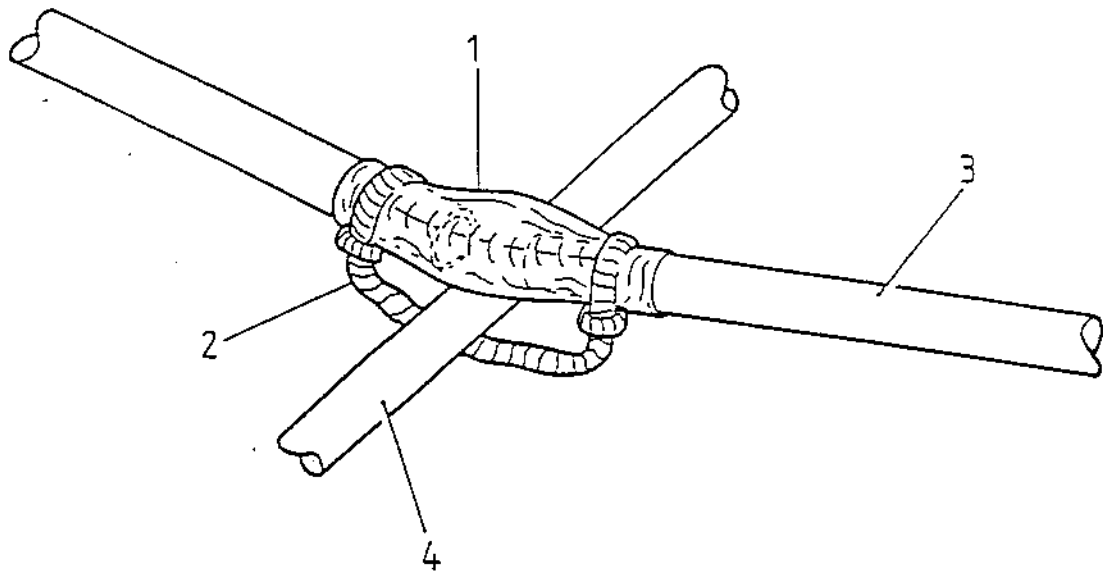
Item	Part No.	Description	Quantity
1 } 2 } 3 }	YRA-31200	R14.5 Right hand Leading Edge Assembly	1
1 } 2 }	YRA-31207	R14.5 Right hand Leading Edge Front, including Oversleeve	1
1	YRA-31201	R14.5 Right hand Leading Edge Front Half	1
2	YRA-31106	R14.5 Right hand Leading Edge Oversleeve	1
3	YRA-31202	R14.5 Right hand Leading Edge Rear Half	1
4 } 5 } 6 }	YRA-31100	R14.5 Left hand Leading Edge Assembly	1
4 } 5 }	YRA-31107	R14.5 Left hand Leading Edge Front, including Oversleeve	1
4	YRA-31101	R14.5 Left hand Leading Edge Front Half	1
5	YRA-31106	R14.5 Left hand Leading Edge Oversleeve	1
6	YRA-31102	R14.5 Left hand Leading Edge Rear Half	1
7	YRA-31301	R14.5 Keel Tube	1
8	YRA-31700	R14.5 Left hand Cross Spar	1
9	YRA-31900	R14.5 Right hand Cross Spar	1
10	YRA-41000	R King Post	1
11	YRA-51000	R Control Frame Side and Rubber	1
12	YRA-51201	R Speed Bar	1



3 CROSS SPAR CENTRE ASSEMBLY

Item	Part No.	Description	Quantity
1	FBA4-7A	AN7A Aircraft Hex. Bolt	1
2	FBU4-34	3-1/2" * 1/4" UNF Hex. Bolt	1
3	FBU4-32	3-1/4" * 1/4" UNF Hex. Bolt	2
4	FBA4-11A	AN4-11A Aircraft Hex. Bolt	1
5	FBU4-30	3" * 1/4" UNF Hex. Bolt	1
6	PMC-SB6	6 mm Skiffy - Ring only	12
7	FW4-T4	1/4" Mild Steel Washer T4LP	8
8	ZPL-015	Unslotted Cross Spar Plate - R Type	2
9	ZPL-014	Slotted Cross Spar Plate - R Type	1
10	YRA-31801	Cross Spar Keel Webbing	1
11	FNU-NT	1/4" UNF 0.437" Thin Nylock Ins. Nut	6
12	FW4-14	1-1/4" * 1/4" * 1/16" Mild Steel Washer	2
13	ZMP-013	1-1/4" out/dia. * 5/16" Mylar Washer	2
14	ZSP-023	Crossbar Spacers - Steel	3
15	YRA-31802	R14.5 Restraint Webbing	1
16	ZSP-022	Crossbar Bushes, HT30TF 63.5 - R Type	2
17	ZSP-021	Crossbar Bushes, HT30TF 60 mm - R Type	2
18	ZMP-012	2-1/4" Saddle Mod 3/8" hole	2
19	YRA-31700	R14.5 Left hand Cross Spar	1
20	YRA-31900	R14.5 Right hand Cross Spar	1
21	PMC-RSC6	6 mm Raised Skiffy Cap only	12
22*	YRA-31804	Cross Spar Support Web	1
23*	YRA-31803	Cross Spar Protection Cover	1
24*	HTW-001	Long Cable Tie 4.6 * 280 mm	2

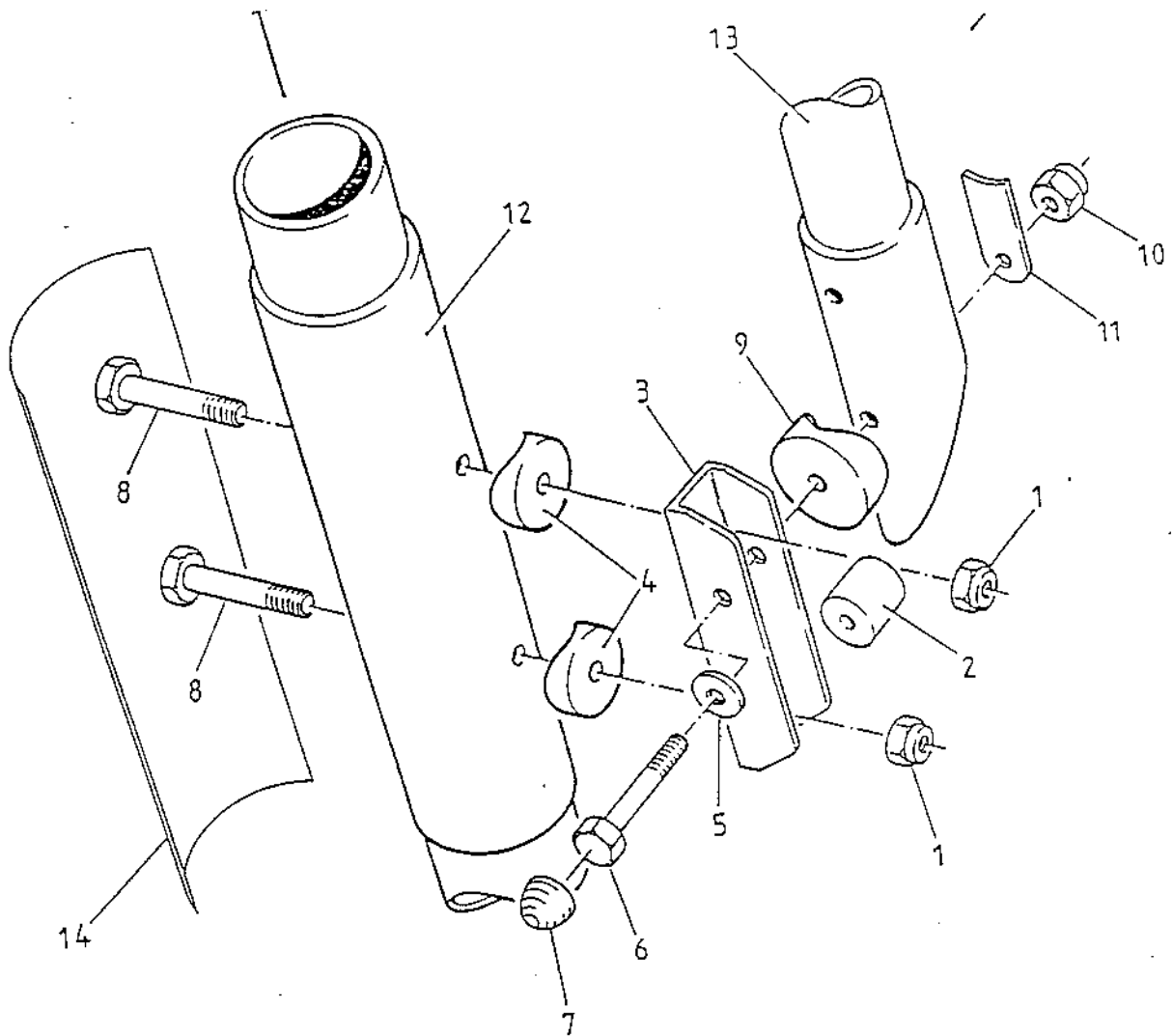
* Not illustrated



Cross Spar/Keel Assembly showing Cross Spar Protection Cover and Cross Spar/Keel Webbing

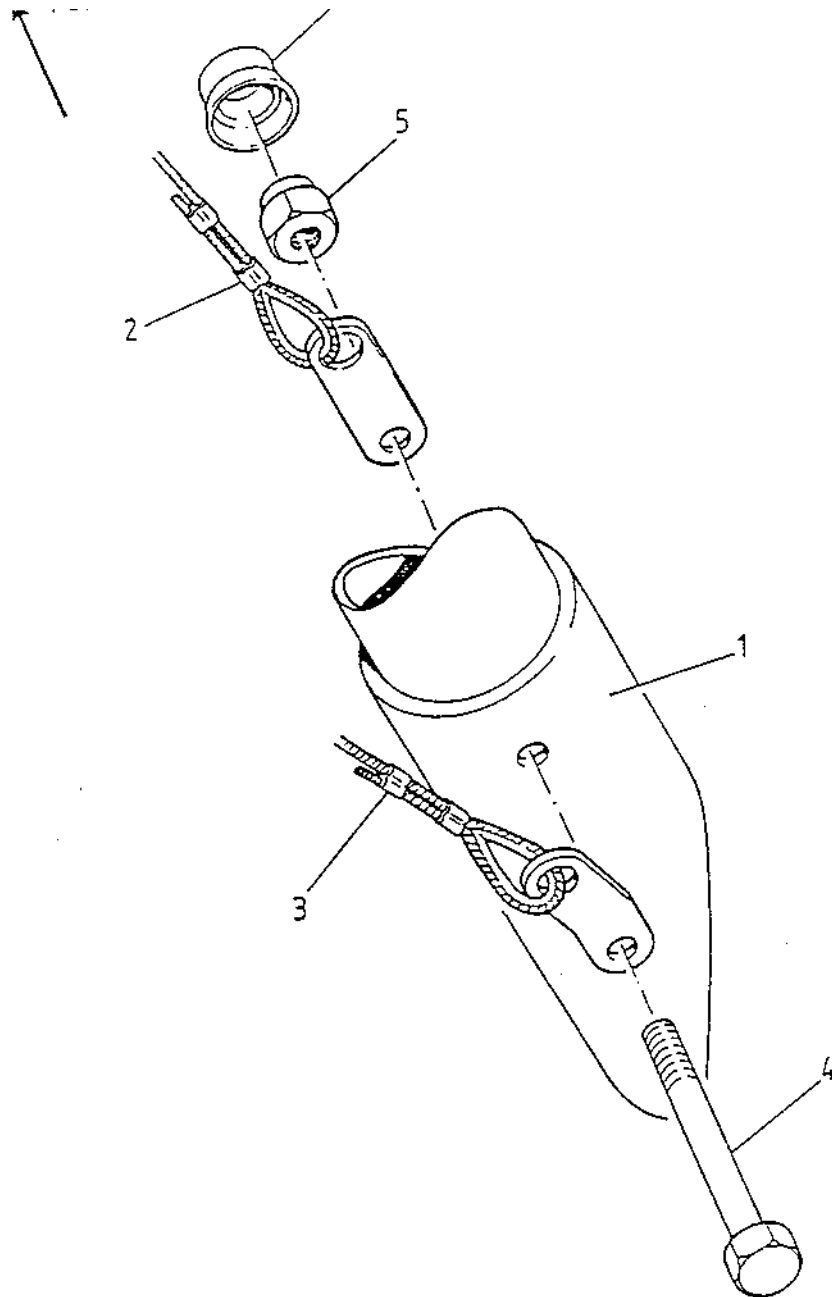
4. CROSS SPAR/KEEL ASSEMBLY

Item	Part No.	Description	Quantity
1	YRA-31803	R Cross Spar Protection Cover	1
2	YRA-31801	R Cross Spar Keel Webbing	1
3	YRA-31900	R14.5 Left hand Cross Spar	1
4	YRA-31301	R14.5 Keel	1



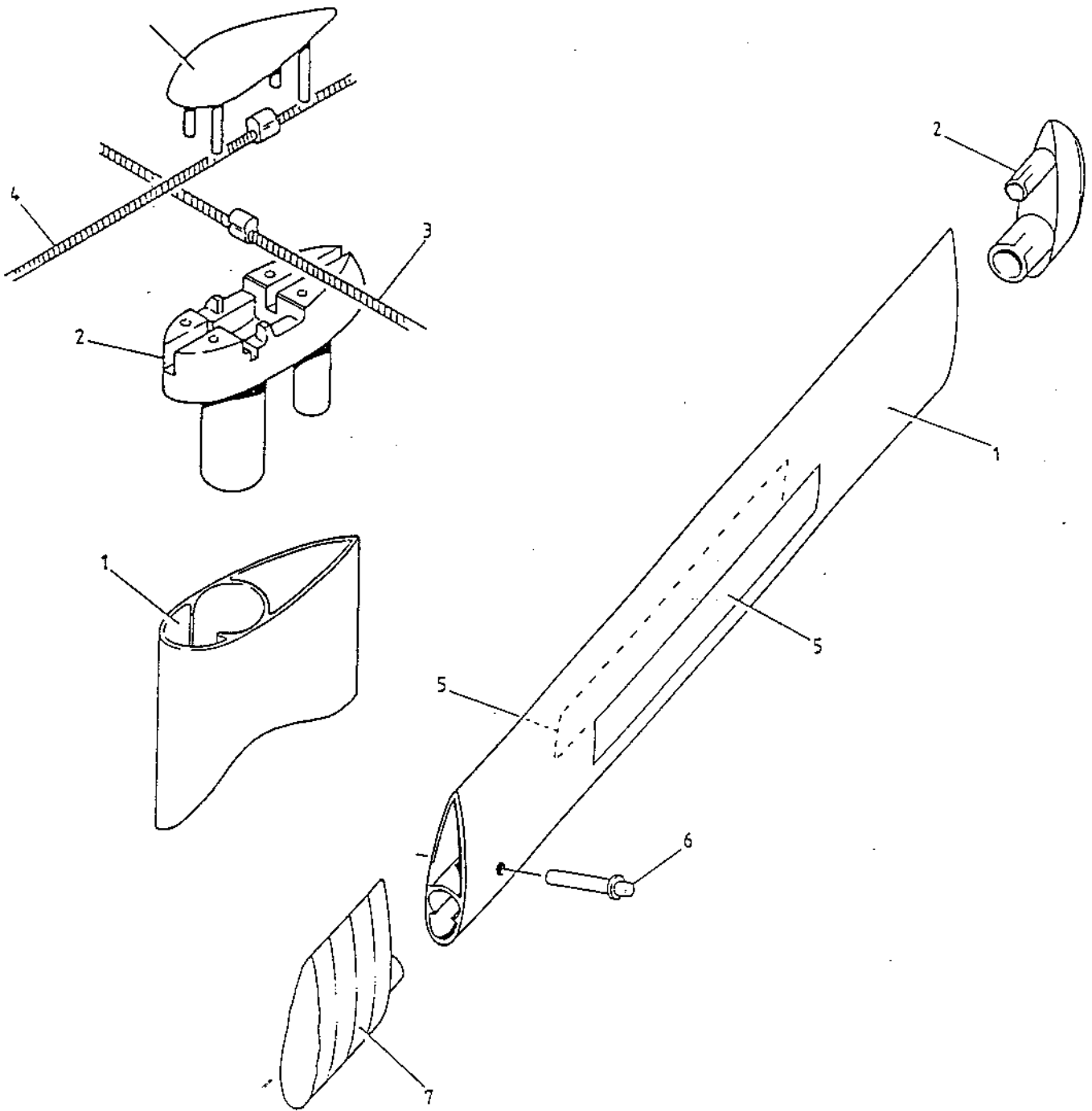
5 LEADING EDGE TO CROSS SPAR ASSEMBLY

Item	Part No.	Description	Quantity
1	FNU4-NP	5/16" UNF P Type Nylock Nut	2
2	ZSP-007	ACE Leading Edge Channel Spacer	1
3	ZCH-003	ACE Leading Edge Channel	1
4	PMS-M8-17	1-7/8" * M8 Plastic Saddle	2
5	PMC-SB8	8 mm Skiffy Ring only	1
6	FBU5-24	2-1/2 * 5/16 UNF Hex. Bolt	1
7	PMC-RSC8	8 mm Raised Siffy - Cap only	1
8	FBU4-24	2-1/2" * 1/4" UNF Hex. Bolt	2
9	PMS-M8-22	2-1/2" * M8 Plastic Saddle	1
10	FNU5-NP	5/16" UNF P Type Nylock Nut	1
11	ZSP-026	Half round Spacer R Type	1
12	VRA-31200	R14.5 Right hand Leading Edge Assembly	1



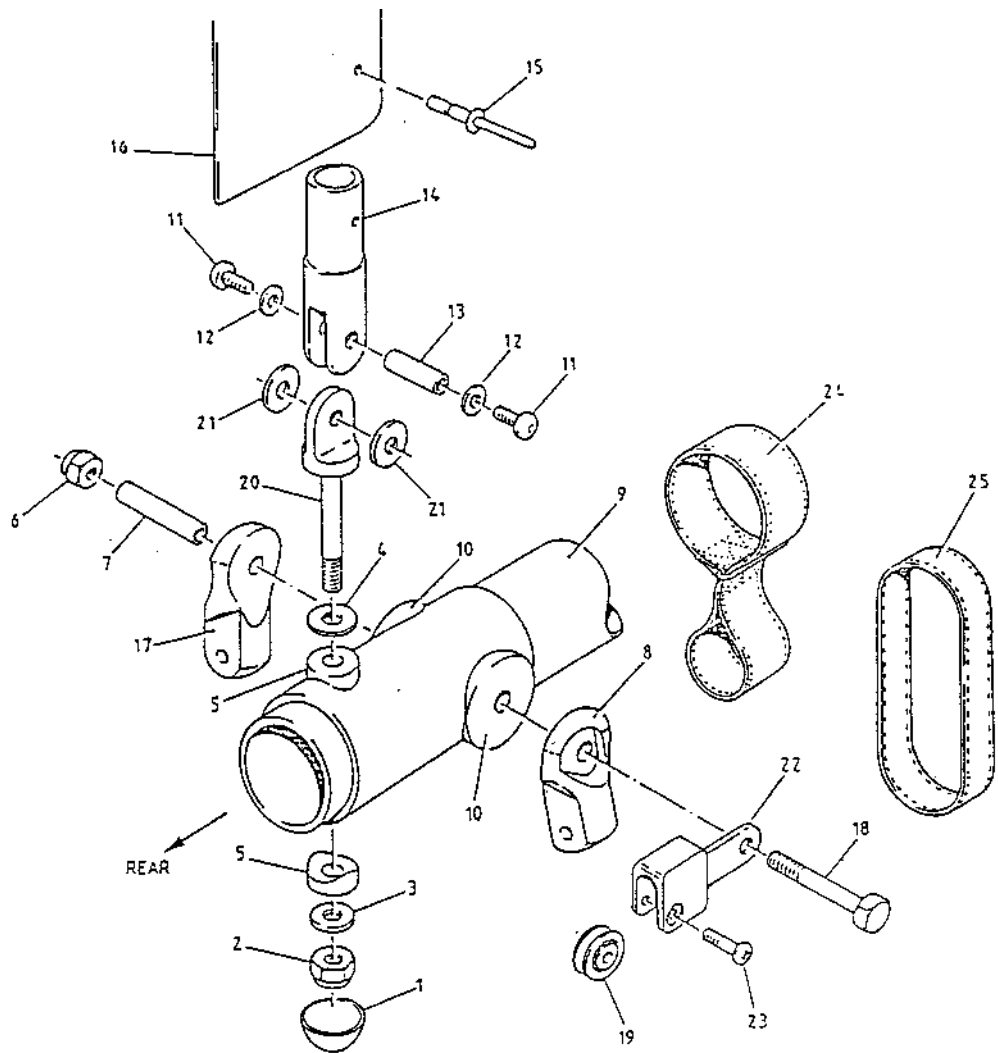
6 UPPER & LOWER RIGGING WIRES

Item	Part No.	Description	Quantity
1	YRA-31900	R14.5 Cross Spar	1
2	YRA-62100	R14.5 Upper Side Rigging	1
3	YRA-61100	R14.5 Lower Side Rigging	1



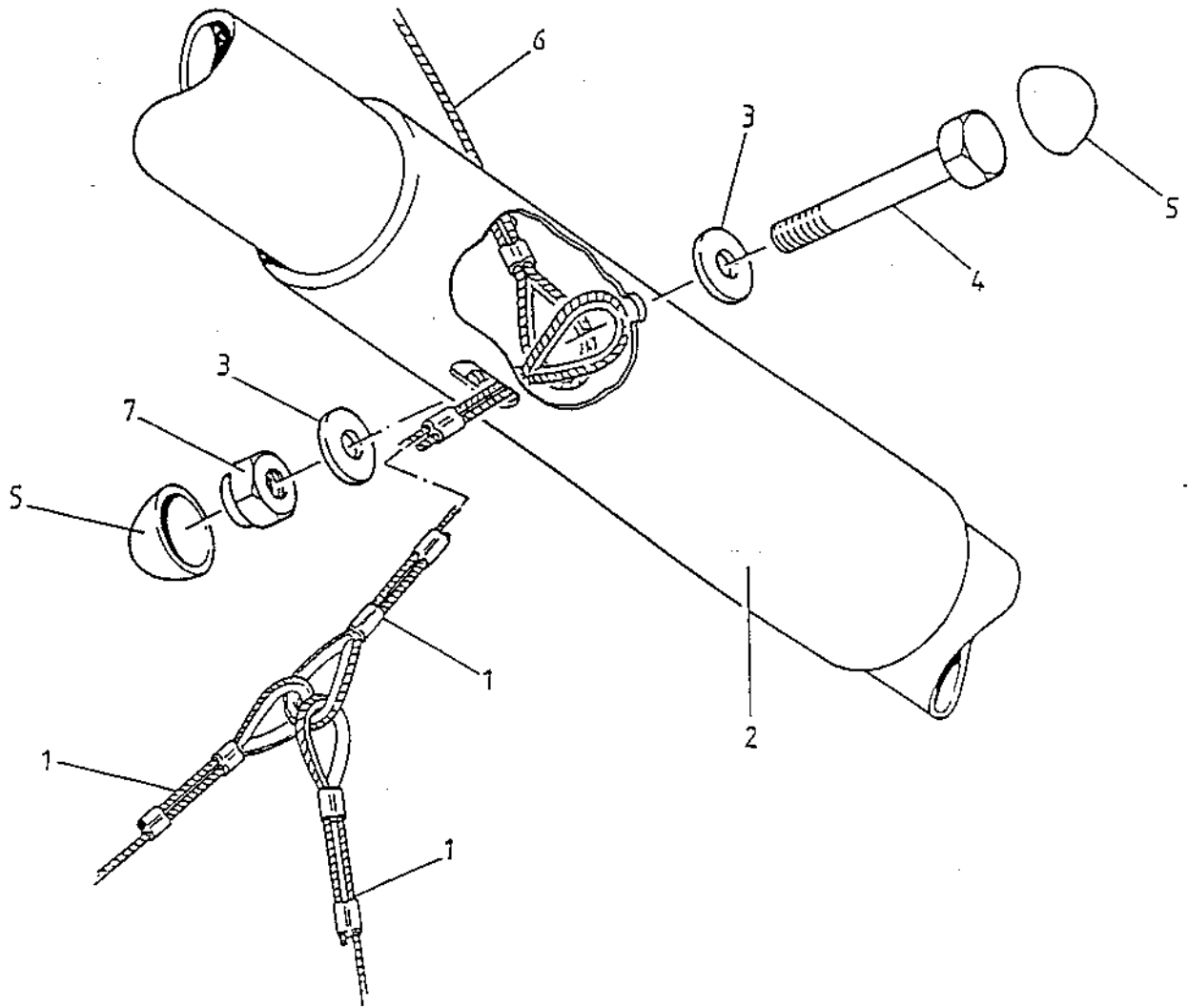
7 KING POST ASSEMBLY

Item	Part No.	Description	Quantity
1	YRA-41000	King Post	1
2	PMC-002	Aerofoil/King Post Cap	1
3	YRA-62100	R14.5 Upper Side Rigging	1
4	YRA-62200	R14.5 Upper Front Rigging	1
5	DLV-006	King Post/Aerofoil Sticker	2
6	FR6-12-002	3/16" diameter * 3/8" Avdel Monobolt	1
7	YRA-41100	Heat Shrink Protector	1



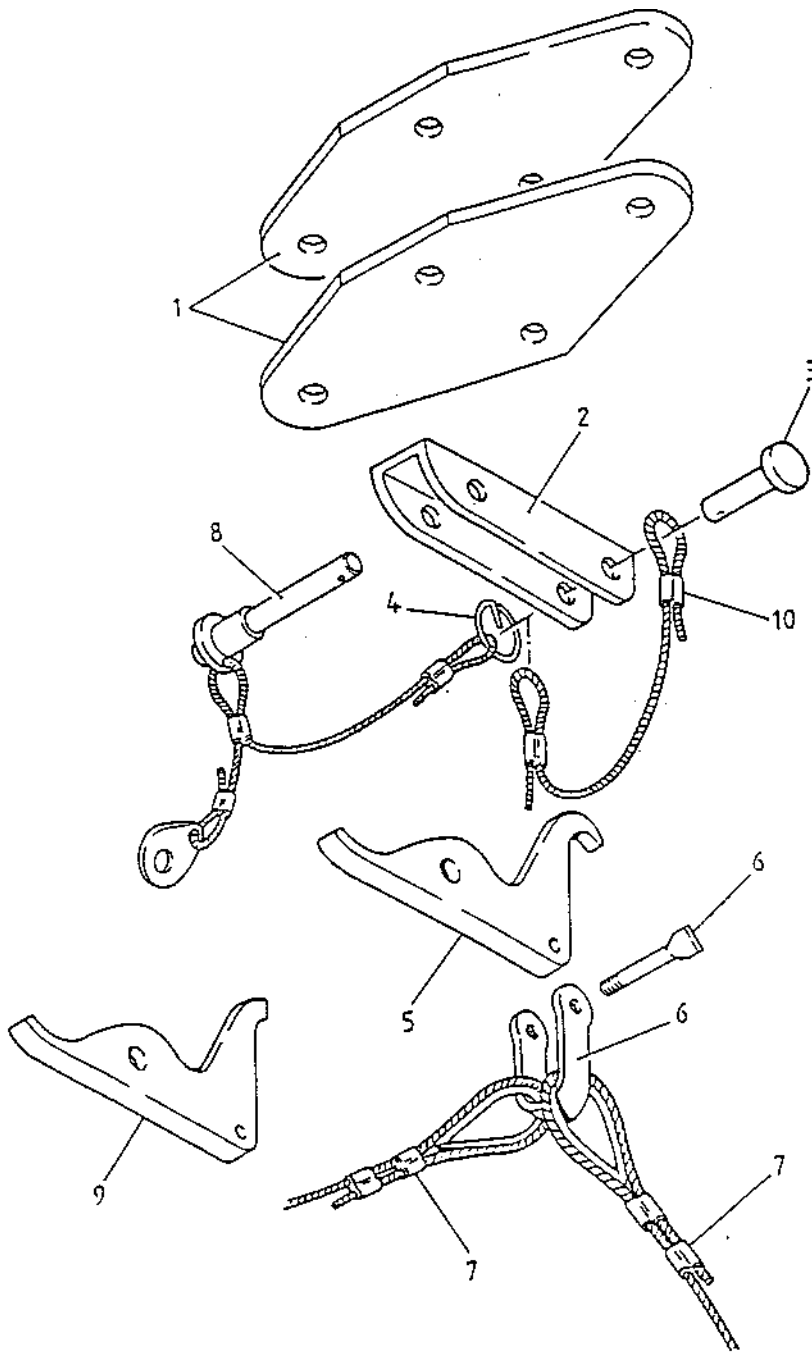
8 KING POST TO KEEL

Item	Part No.	Description	Quantity
1	PMC-RSC8	8 mm Raised Skiffy Cap only	1
2	FNMS-NT	8 mm T Type Nylock Nut	1
3	PMC-SB8	8 mm Skiffy Ring only	1
4	FWM10-B	10 mm Mild Steel Washer Form B	1
5	PMS-M8-21S	2-1/8" * M8 Plastic Saddle (small)	2
6	FNU4-NP	1/4" UNF F Type Nylock Nut	1
7	ZSP-019	Steel Keel Bush - R Type	1
8	ZMA-014	Control Frame Swivel VB RT - R Type	1
9	YRA-31301	R14.5 Keel Tube	1
10	PMS-M8-17	1-7/8" * M8 Plastic Saddle	2
11	FMSU-001	10NF * 3/8 Button Cheesehead (PVC Patch)	2
12	FW3-T3	3/16" Mild Steel Washer T3LP	2
13	FNX-001	10NF * 5/16" o/dia * 20 mm Threaded Conn.	1
14	ZKN-109	King Post Base Knuckle	1
15	FR6-12-002	3/16" diameter * 3/8" Avdel Monobolt	1
16	YRA-41000	R King Post	1
17	ZMA-013	Control Frame Swivel STD. - R Type	1
18	FBA4-33A	AN4-33A Aircraft Hex. Bolt	1
19	RP10	Microball Bearing Block	1
20	FEM8-65	M8 * 65 mm Eyebolt	1
21	FW5-T3	5/16" Mild Steel Washer T3LP	2
22	ZMA-018	Pulley Block VB	1
23	FMBS4-15	M4 * 15 mm Brass Pan Head Screw Patch	2
24	YRA-31305	Hang Loop	1
25	YRA-31306	Back-up Loop	1



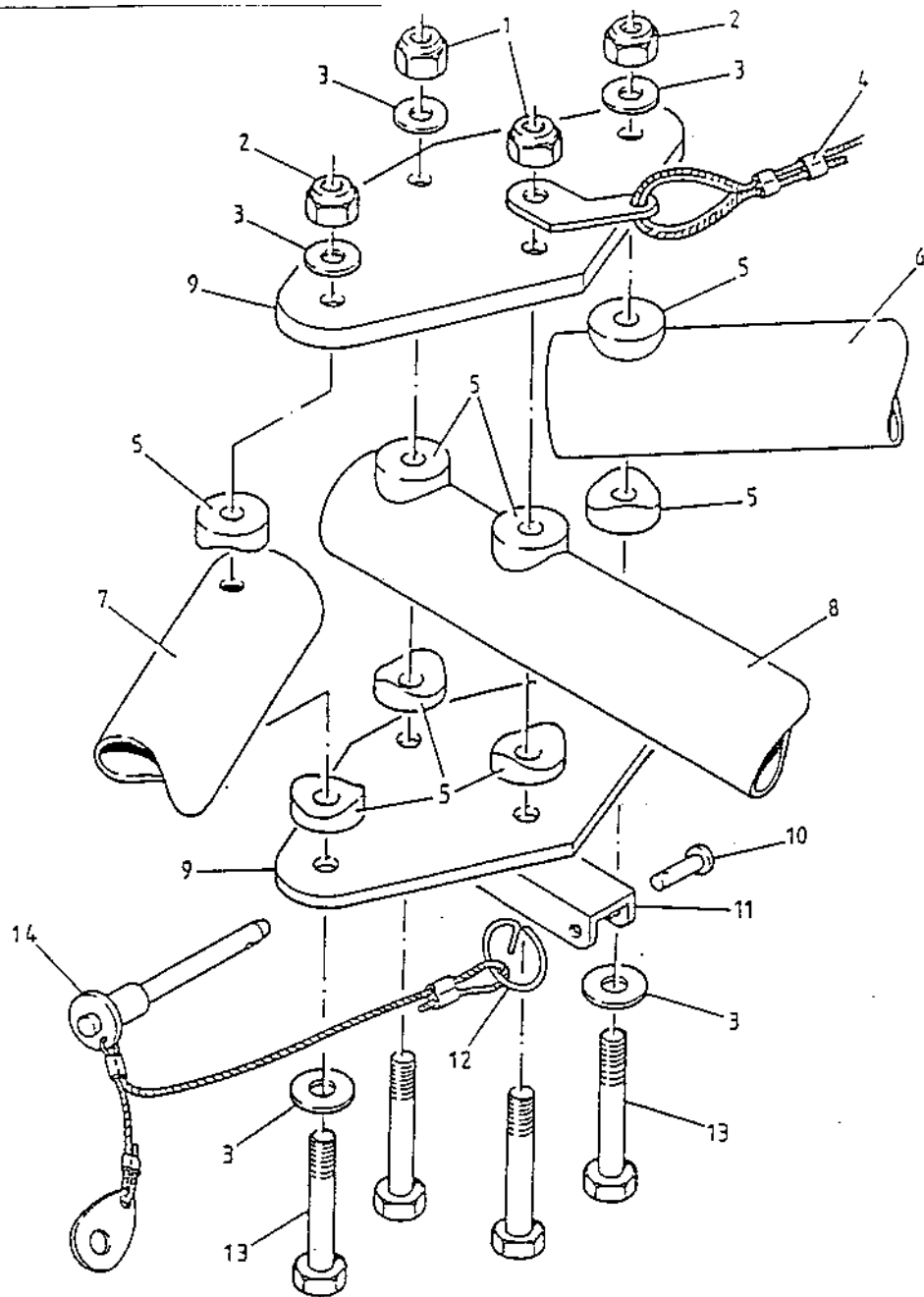
9 UPPER & LOWER REAR RIGGING ASSEMBLY

Item	Part No.	Description	Quantity
1	YRA-61300	R14.5 Lower Rear Rigging	1
2	YRA-31301	R14.5 Keel Tube	1
3	PMC-SB6	6 mm Skiffy Ring only	2
4	FBU4-22	2-1/4" * 1/4" UNF Hex. Bolt	1
5	PMC-RSC6	6 mm Raised Skiffy - Cap only	2
6	YRA-62300	R14.5 Upper Rear Rigging	1
7	FNU4-NT	1/4" UNF * 0.437" Thin Nylock Ins. Nuc	1



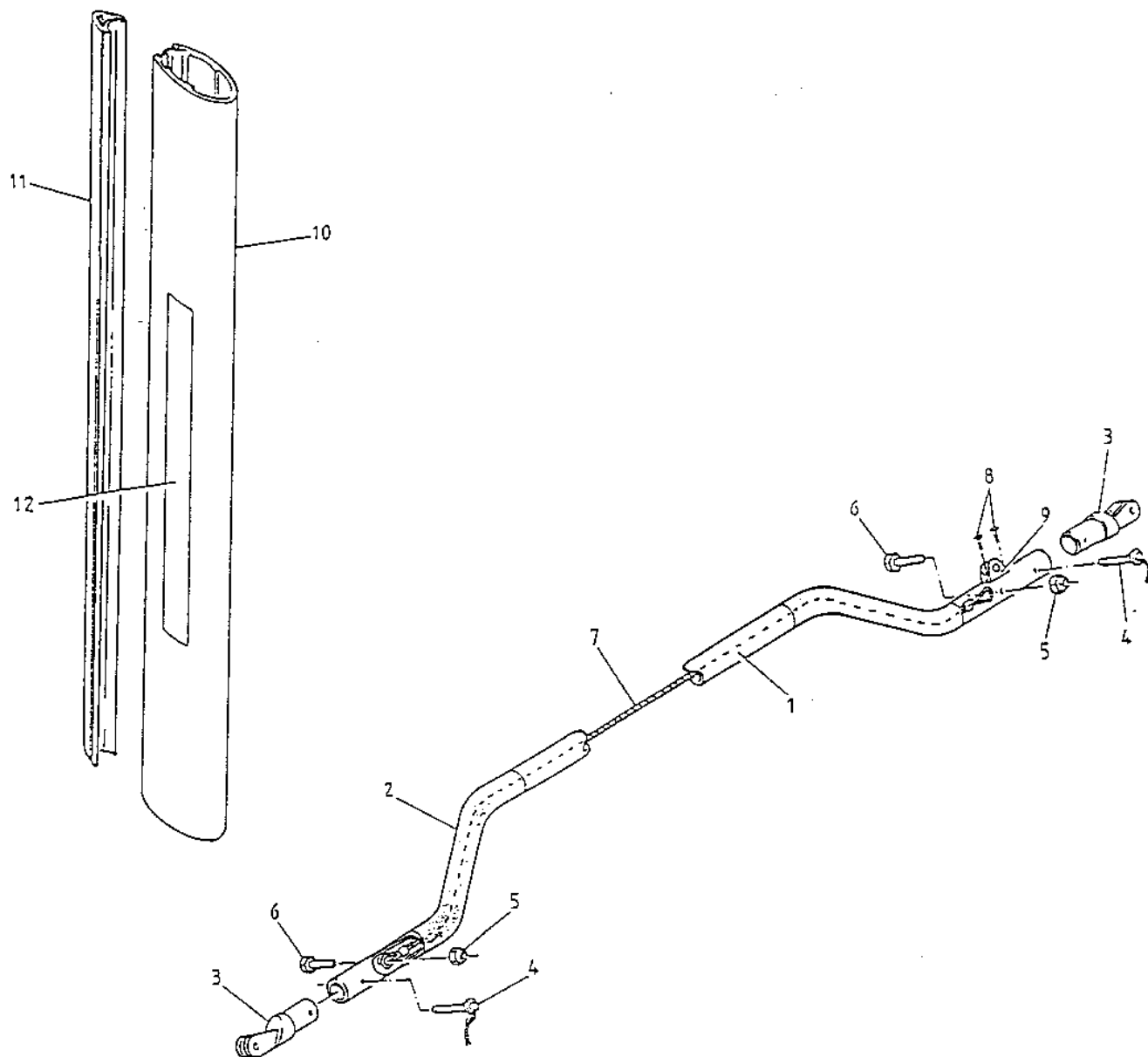
10 NOSE CATCH ASSEMBLY

Item	Part No.	Description	Quantity
1	ZPL-003	Nose Plate	2
2	ZCH-006	Nose (S) Catch Channel	1
3	FPCP-001	1/4" * 13/16" Steel Clevis Pin	1
4	FPSR-001	5/8" Safety Ring	1
5	ZMA-001	S Catch, anodised (UK Version)	1
6	RS-2	5 mm Strip Shackle, SOW 32541	1
7	YRA-61200	R14.5 Lower Front Rigging	1
8	FP-001	2 mm Push Pin	1
9	ZMA-017	S Catch, anodised (German Version)	1
10	YRA-61500	Nose Hand Loop	1



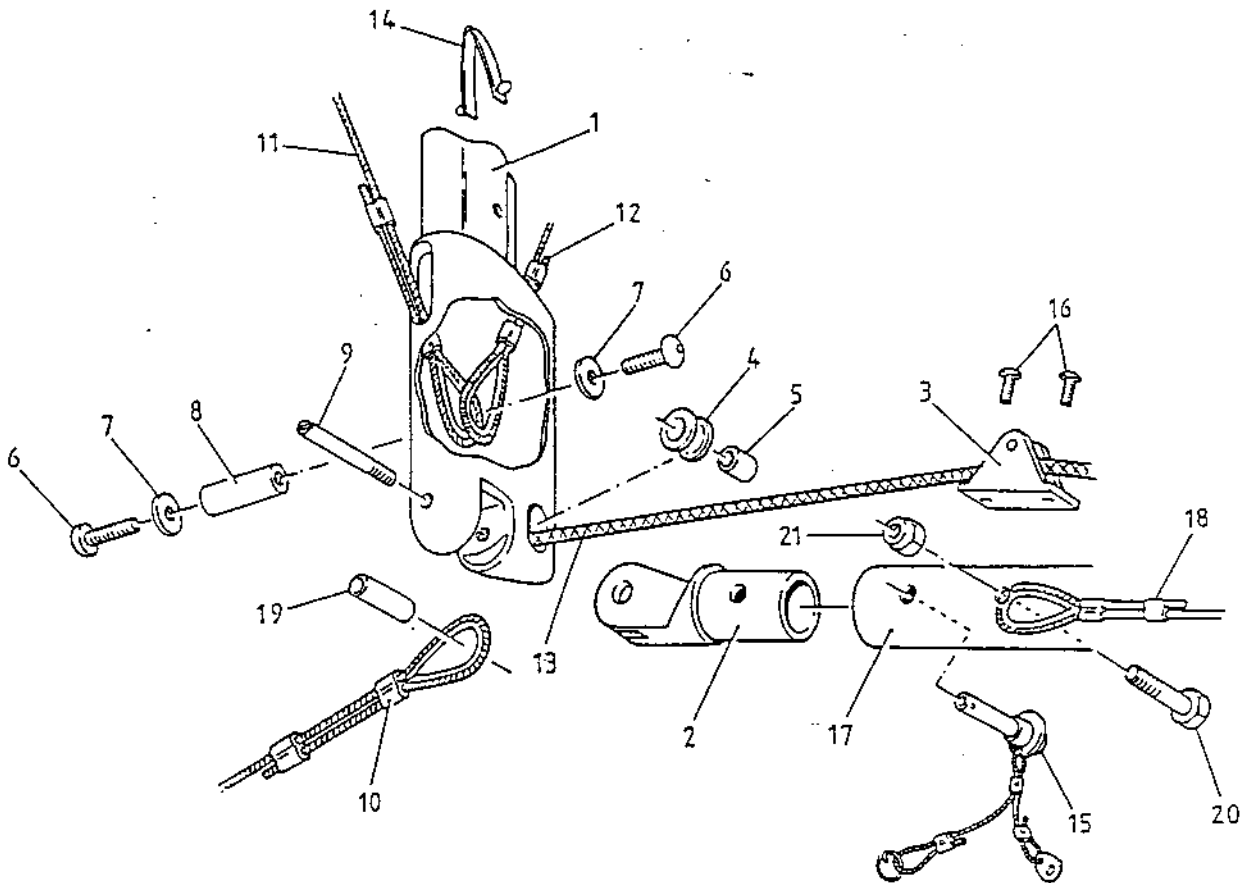
11 NOSE PLATE ASSEMBLY

Item	Part No.	Description	Quantity
1	FNU4-NT	1/4" UNF * 0.437" Thin Nylock Ins. Nut	2
2	FNU4-NP	1/4" UNF P Type Nylock Nut	2
3	FW4-T4	Washer, 1/4"	5
4	YRA-62200	R14.5 Upper Front Rigging	1
5	PMS-M8-17	M8 Plastic Saddle	8
6	YRA-31200	R14.5 Right hand Leading Edge Assembly	1
7	YRA-31100	R14.5 Left Hand Leading Edge Assembly	1
8	YRA-31301	R14.5 Keel Tube	1
9	ZPL-003	Nose Plate	2
10	FPCP-001	1/4" * 3/16" Steel Clevis Pin	1
11	ZCH-006	Nose (S) Catch Channel	1
12	FPSR-001	5/8" Safety Ring	1
13	FBU4-26	2-3/4" * 1/4" UNF Hex. Bolt	4
14	FP-001	22 mm Push Pin	1



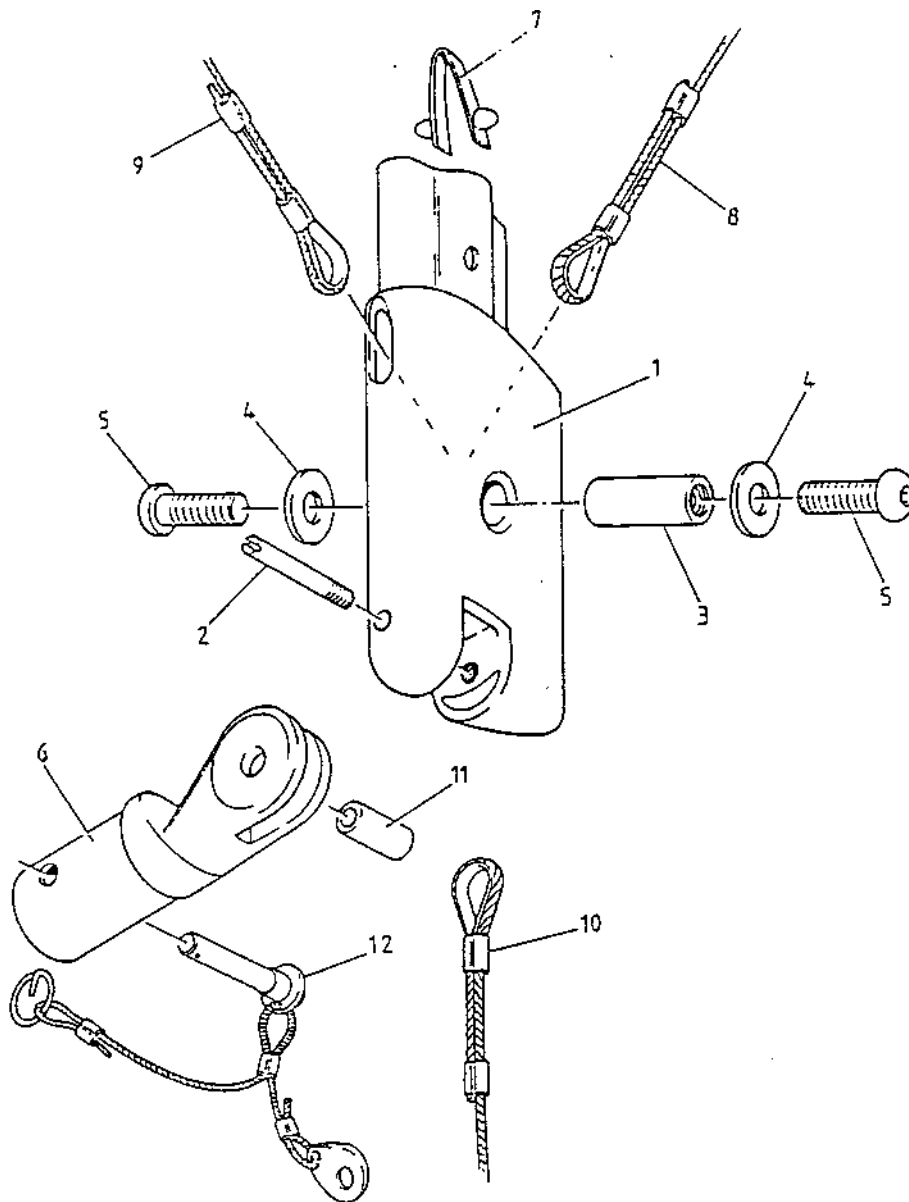
12 SPEED BAR and CONTROL FRAME SIDE ASSEMBLIES

Item	Part No.	Description	Quantity
1	YRA-51201	Speed Bar	1
2	PMM-009	Hockey Stick Grips	2
3	ZKN-114	Base Bar Knuckle - R Type	2
4	FP-002	36 mm Push Pin	2
5	FNU4-NP	1/4" UNF P Type Nylock Nut	2
6	FBU4-14	1-1/2" * UNF Hex. Bolt	2
7	YRA-61400	Speed Bar Cable	1
8	FR4-16-001	1/8" diameter * 1/2" Alloy Pop Rivet	2
9	RM-2	6 mm Lance Cleat, R3595	1
10	YRA-51100	R Control Frame Side	1
11	YRA-51500	R Rubber Insert	1
12	DLV-006	Hang Glider King Post/Aerofoil Sticker	1
10 } 11 } 12 }	YRA-51000	R Control Frame Side Assembly	1



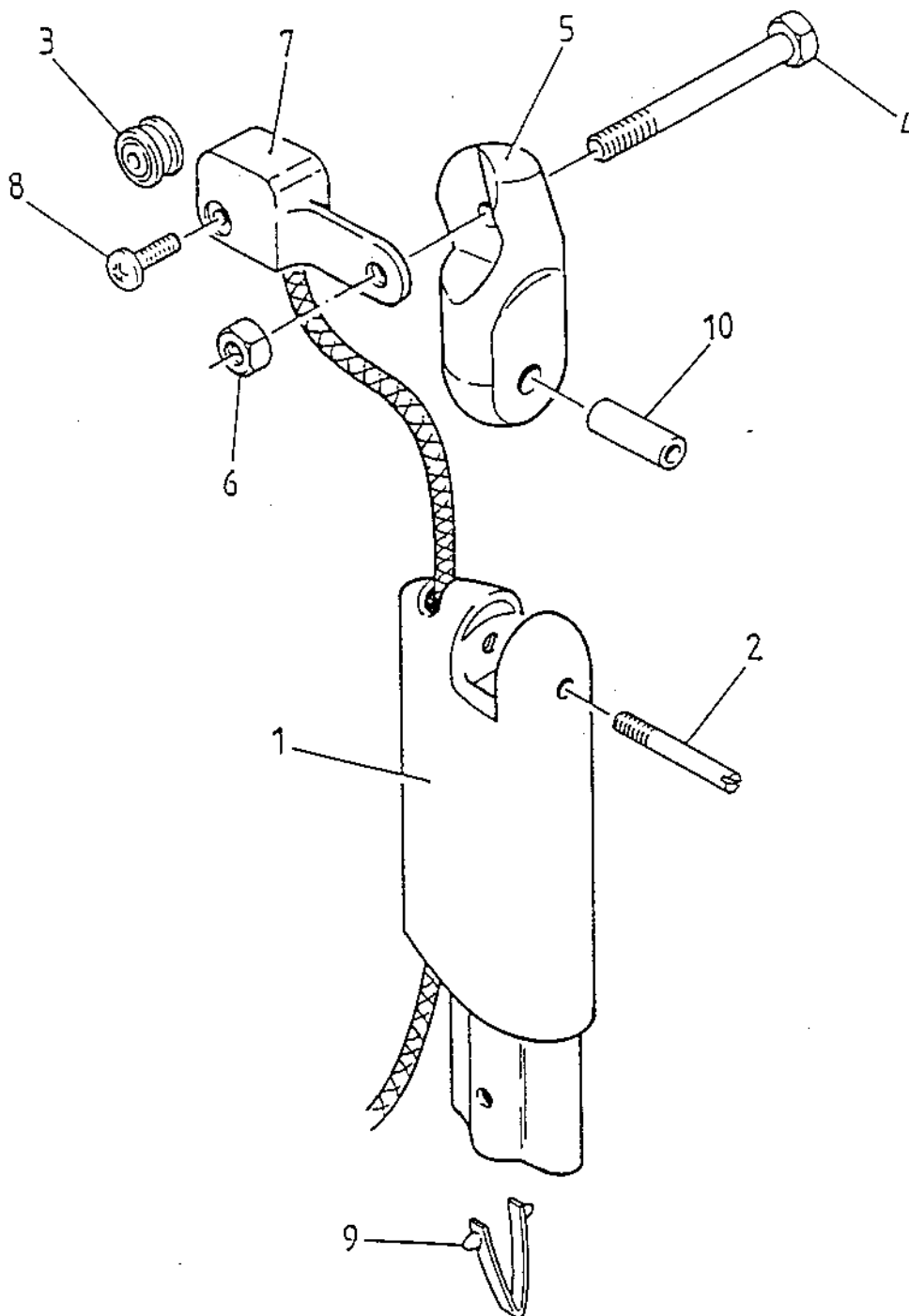
13 RIGHT HAND SIDE BOTTOM KNUCKLE

Item	Part No.	Description	Quantity
1	ZKN-118	Control Frame Lower Casting MCVB	1
2	ZKN-114	Base Bar Knuckle - R Type	1
3	RM-2	6 mm Lance Cleat - R3595	1
4	ZMA-016	R Aluminium VB Pulley	1
5	EEA-GB-1	Glacier Bush Bearing	1
6	FMSU-001	10NF * 3/8" Button Cheesehead PVC Patch	2
7	FW3-T3	3/16" Mild Steel Washer T3LP	2
8	FNX-001	10NF * 5/16" o/d * 20 mm Thread Conn.	1
9	ZMF-006	Control Frame Hinge Pin	1
10	YRA-61100	R14.5 Lower Side Rigging	1
11	YRA-61200	R14.5 Lower Front Rigging	1
12	YRA-61300	R14.5 Lower Rear Rigging	1
13	YRA-53500	VB Rope	1
14	FPBP-001	Double Button Clip Steel Pin	1
15	FP-002	36 mm Push Pin	1
16	FR4-16-001	1/8" dia. * 1/2" Alloy Pop Rivet	2
17	YRA-51201	Speed Bar	1
18	YRA-61400	Speed Bar Cable	1
19	ZMP-015	Knuckle Pivot Bearing, Delrin	1
20	FBU4-14	1-1/2" * 1/4" UNF Hex. Bolt	1
21	FNU4-NP	1/4" UNF P Type Nylock Nut	1



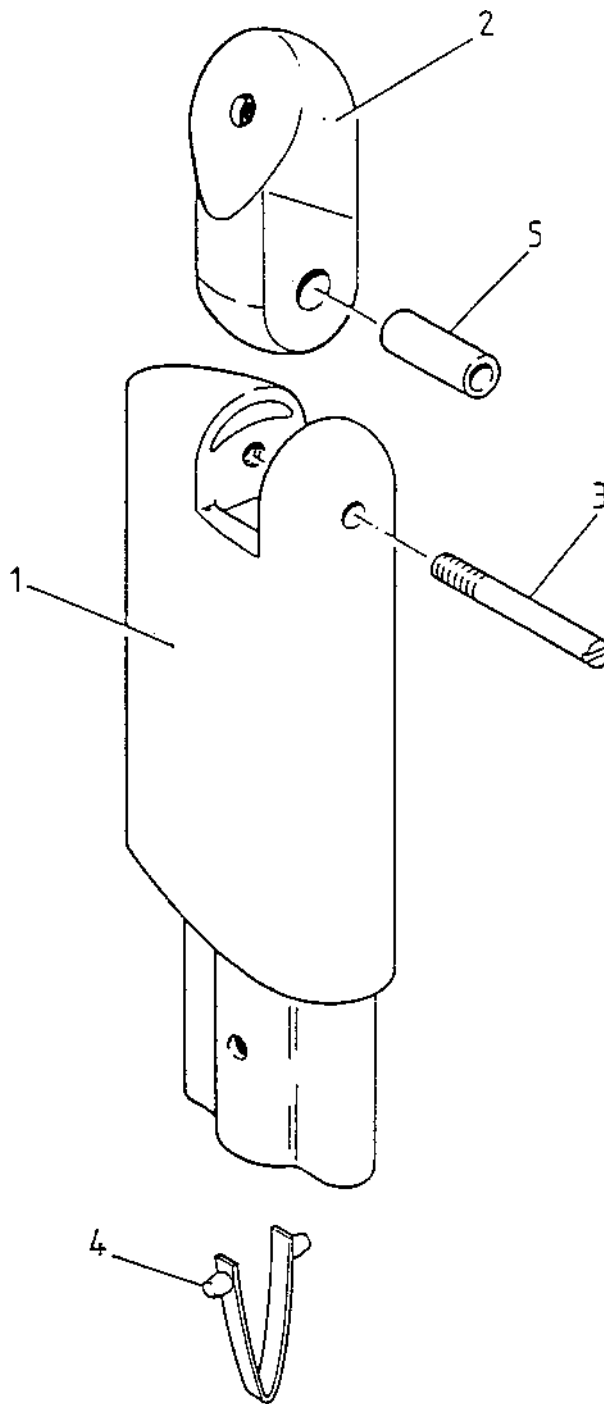
14 LEFT HAND SIDE BOTTOM KNUCKLE ASSEMBLY

Item	Part No.	Description	Quantity
1	ZKN-117	Control Frame Lower Casting	1
2	ZMF-006	Control Frame Hinge Pin	1
3	FNX-001	10NF * 5/16" out/dia. * 20 mm Threaded Conn.	1
4	FW3-T3	3/16" Mild Steel Washer T3LP	2
5	FNSU-001	10NF * 3/8" Button Cheesehead PVC Patch	2
6	ZKN-114	Base Bar Knuckle - R Type	1
7	FPBP-001	Double Button Clip Steel Pin	1
8	YRA-61300	R14.5 Lower Rear Rigging	1
9	YRA-61200	R14.5 Lower Front Rigging	1
10	YRA-61100	R14.5 Lower Side Rigging	1
11	ZMP-015	Knuckle Pivot Bearing, Delrin	1
12	FP-002	36 mm Push Pin	1



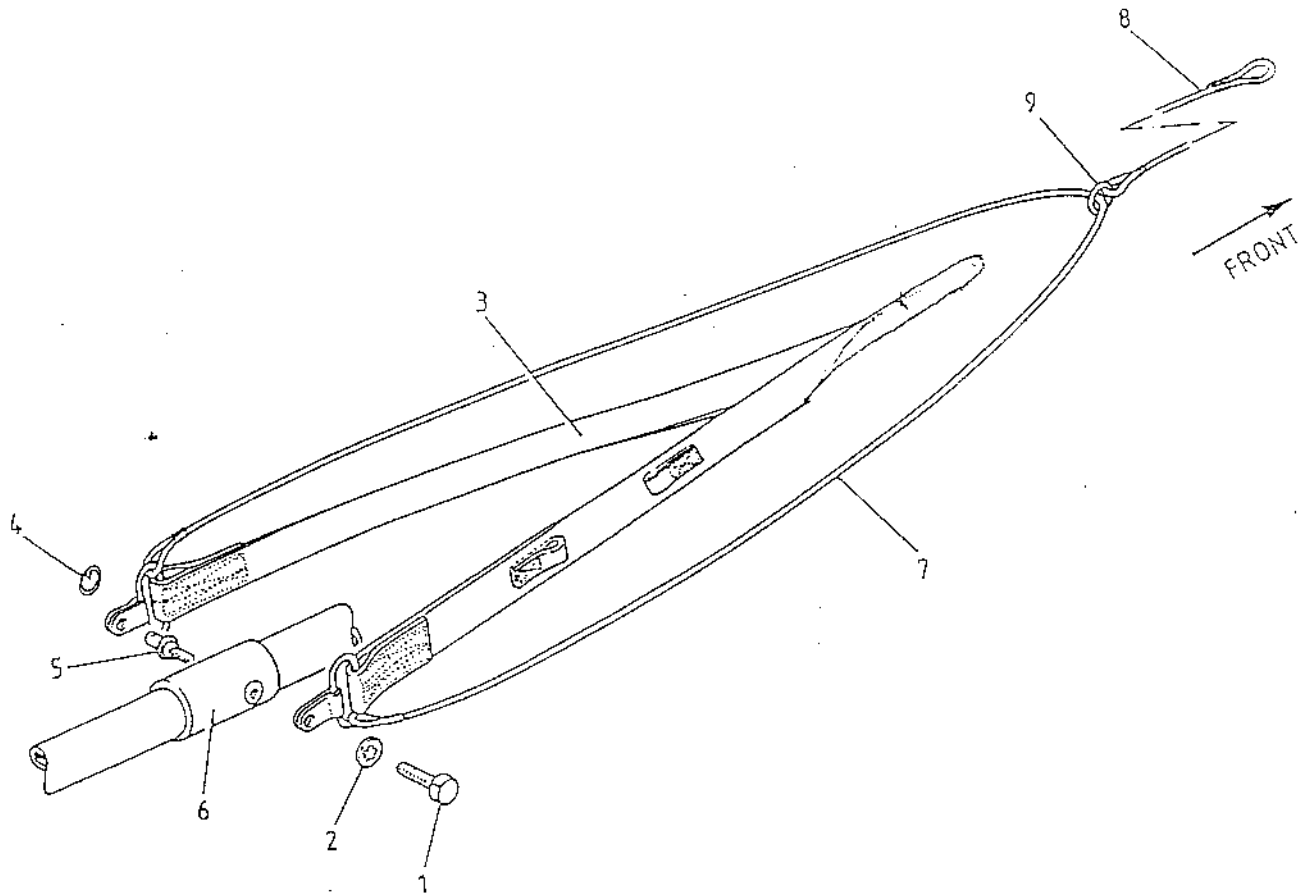
15 RIGHT HAND SIDE TOP KNUCKLE

Item	Part No.	Description	Quantity
1	ZKN-116	Control Frame Top Casting MCVB	1
2	ZMF-006	Control Frame Hinge Pin	1
3	RP-10	Micro Ball Bearing Block	1
4	FBA4-33A	33A Aircraft Hex. Bolt	1
5	ZMA-014	Control Frame Swivel VBRT - R	1
6	FNU4-NP	1/4" UNF P Type Nylock Nut	1
7	ZMA-018	Pulley Block VB	1
8	FMBS4-15	M4 * 15 mm Brass Pan Head Screw Patch	1
9	FPBP-001	Double Button Clip Steel Pin	1
10	ZMP-015	Knuckle Pivot Bearing, Delrin	1



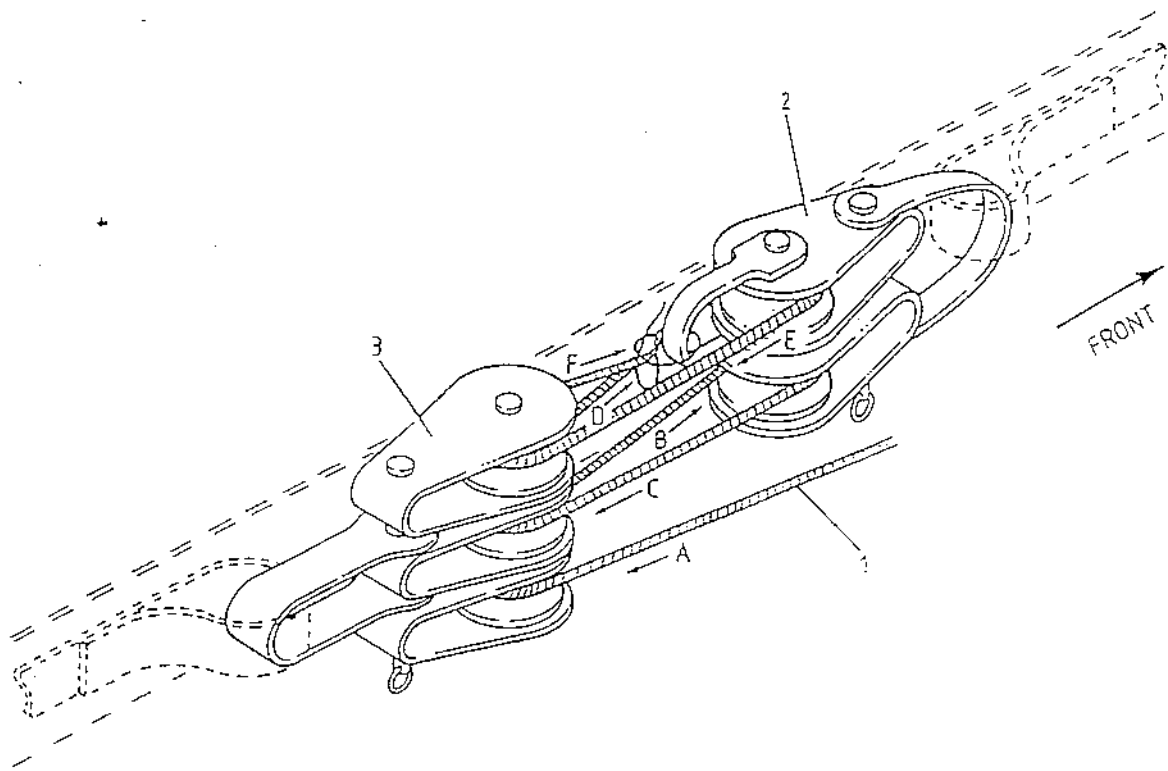
16 LEFT HAND SIDE TOP KNUCKLE ASSEMBLY

Item	Part No.	Description	Quantity
1	ZKN-115	Control Frame Top Casting - MC	1
2	ZMA-013	Control Frame Swivel Stud STD. - R type	1
3	ZMF-006	Control Frame Hinge Pin	1
4	FPBP-001	Double Button Clip Steel Pin	1
5	ZMP-015	Knuckle Pivot Bearing, Delrin	1



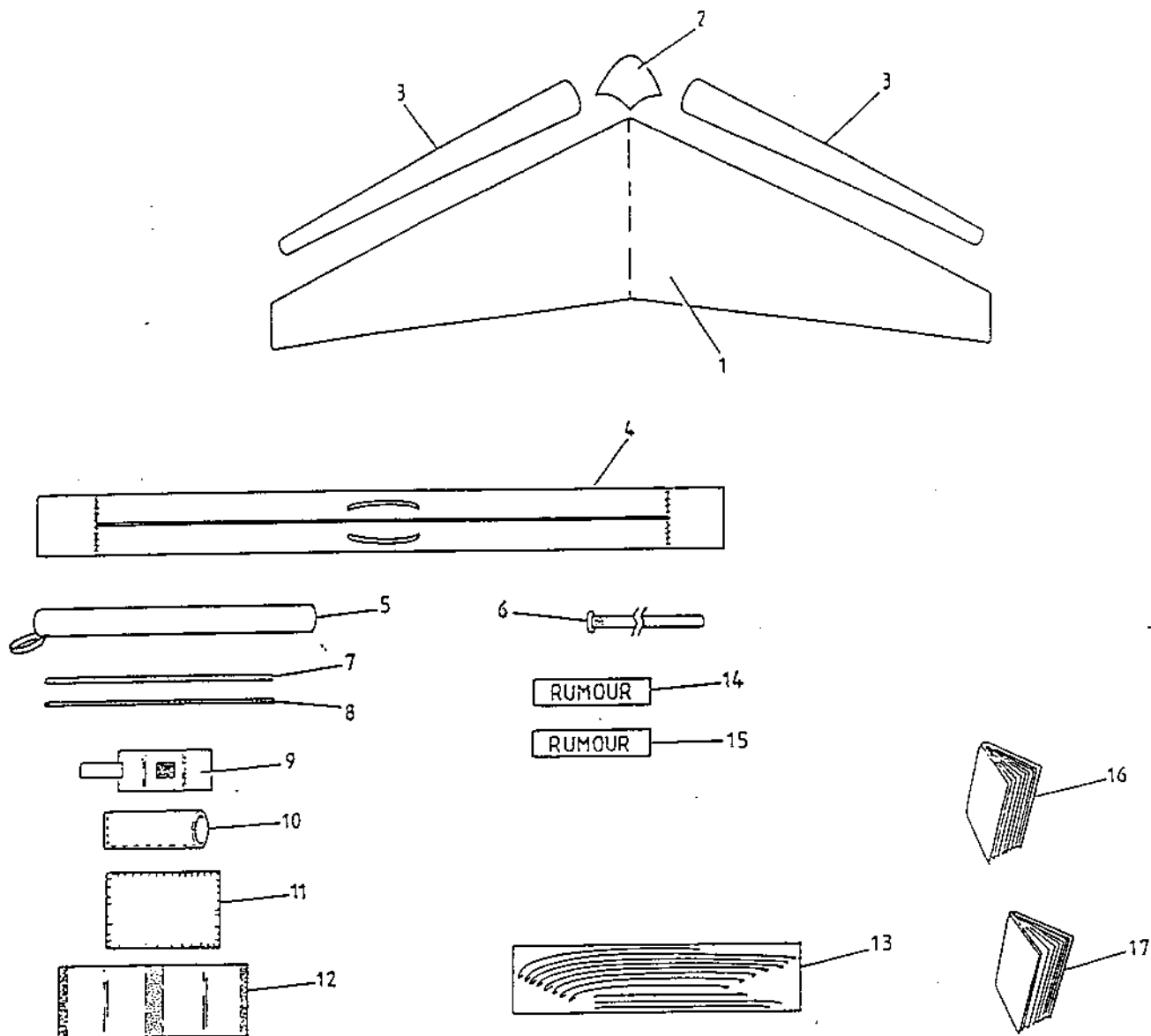
17 RESTRAINT WEBBING TO KEEL ASSEMBLY

Item	Part No.	Description	Quantity
1	FMS8-20	M8 * 20 mm PVC Wide Patch HTSET	1
2	FWM8-SHK	M8 * Int Shakeproof Washer	1
3	YRA-31802	R14.5 Restraint Webbing	1
4	FPSR-001	Safety Ring	1
5	FMSS-2	Restraint Stud M8 * 30 mm	1
6	YRA-31301	R14.5 Keel Tube	1
7	VNR-001	800 lb 8 Plait Nylon Cord	1
8	VSC3-001	3 mm Shock Cord	1
9	GEN-OG	Brass Spur Tooth Eyelet	1



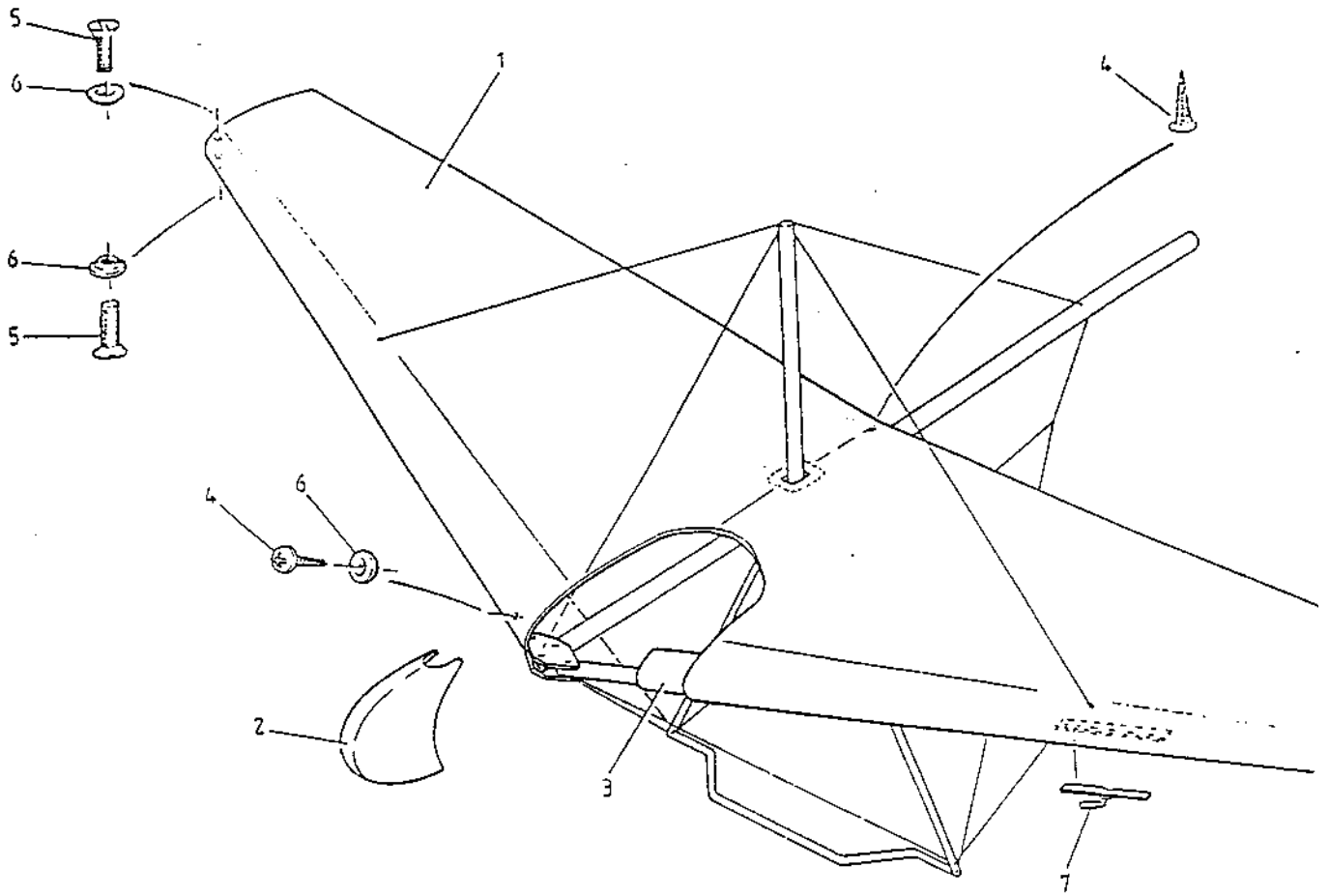
18 VARIABLE BILLOW ASSEMBLY

Item	Part No.	Description	Quantity
1	YRA-53500	VB Rope	1
2	RP-9	Double Block & Bracket - R Type	1
3	RP-8	Triple Block YF005 - R Type	1



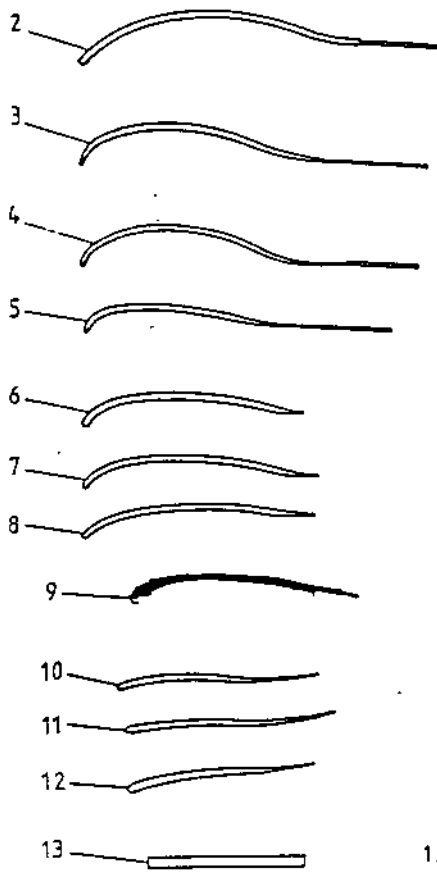
19 SAIL, CARRYING & PACKING ASSEMBLIES

Item	Part No.	Description	Quantity
1	YRA-025	R14.5 Sail	1
2	YRA-046	R Nose Cone	1
3	YRA-045	R14.5 Mylar Sail Inserts	2
4	YRA-055	R14.5 Carrying Bag	1
5	YRA-060	Rib Bag	1
6	VW30-002	30 mm Vel Straps 125H/910L - 30 VS	5
7	VSC4-001	4 mm Shock Cord	as required
8	VSC3-001	3 mm Shock Cord	as required
9	YRA-065	R Keel Rest Stud Pad	1
10	YRA-080	Bottom Bar Protection Pad	2
11	YRA-075	Top Knuckle Cover	1
12	YRA-070	Lower Knuckle Cover	1
13	DBPR-001	Batten Plan, Rumour Wing	1
14	DLV-022	Car Sticker (Transparent)	1
15	DP-011	SHGA Sticker (Approval)	1
16	DOM-001	Rumour 14.5/13.5 Handbook	1
17	DOM-002	Spare parts Catalogue (this publication)	1

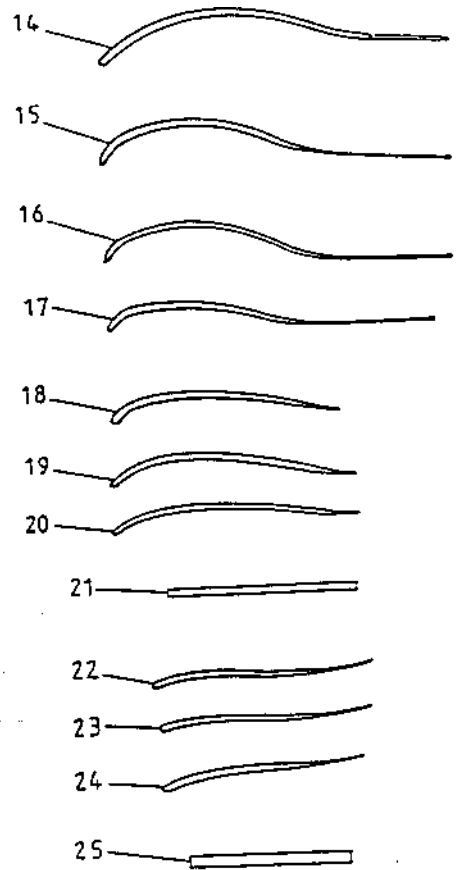


20 MAIN SAIL ASSEMBLY

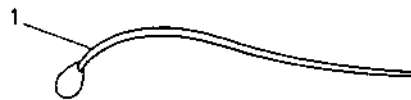
Item	Part No.	Description	Quantity
1	YRA-025	Rumour 14.5 Main Sail	1
2	YRA-046	R Nose Cone	1
3	YRA-045	R14.5 Sail Mylar Inserts	2
4	FMSST-002	No. 12 * 1" Countersunk POS Self/Tapscrew	3
5	FMS6-25	M6 * 25 mm Countersunk Slotted Set	4
6	ZSP-006	Eyelet Spacer	6
7	VZ-003	No. 10 Auto Lock Sliders, white	2



NOT TO SCALE



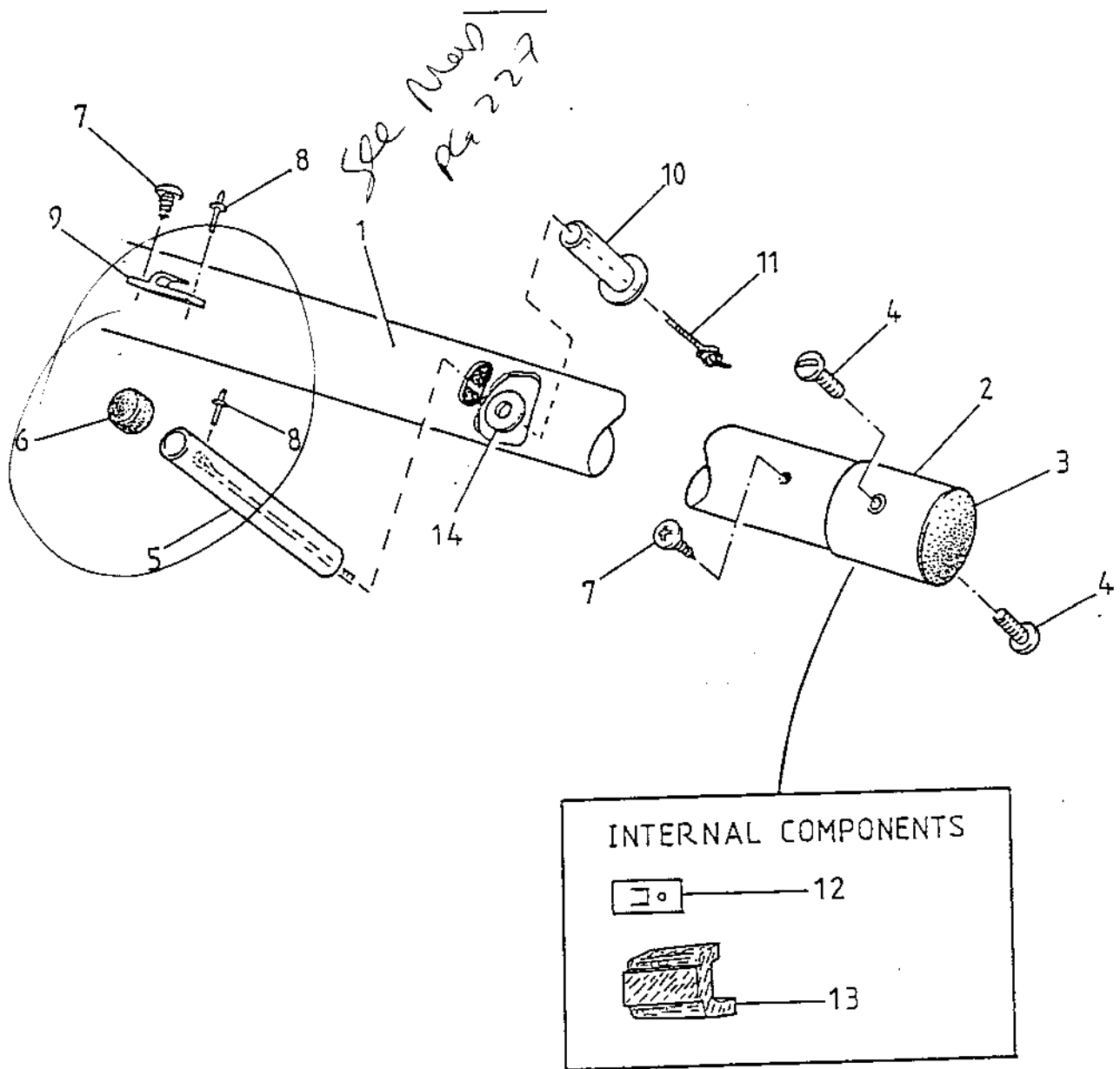
L.H.



R.H.

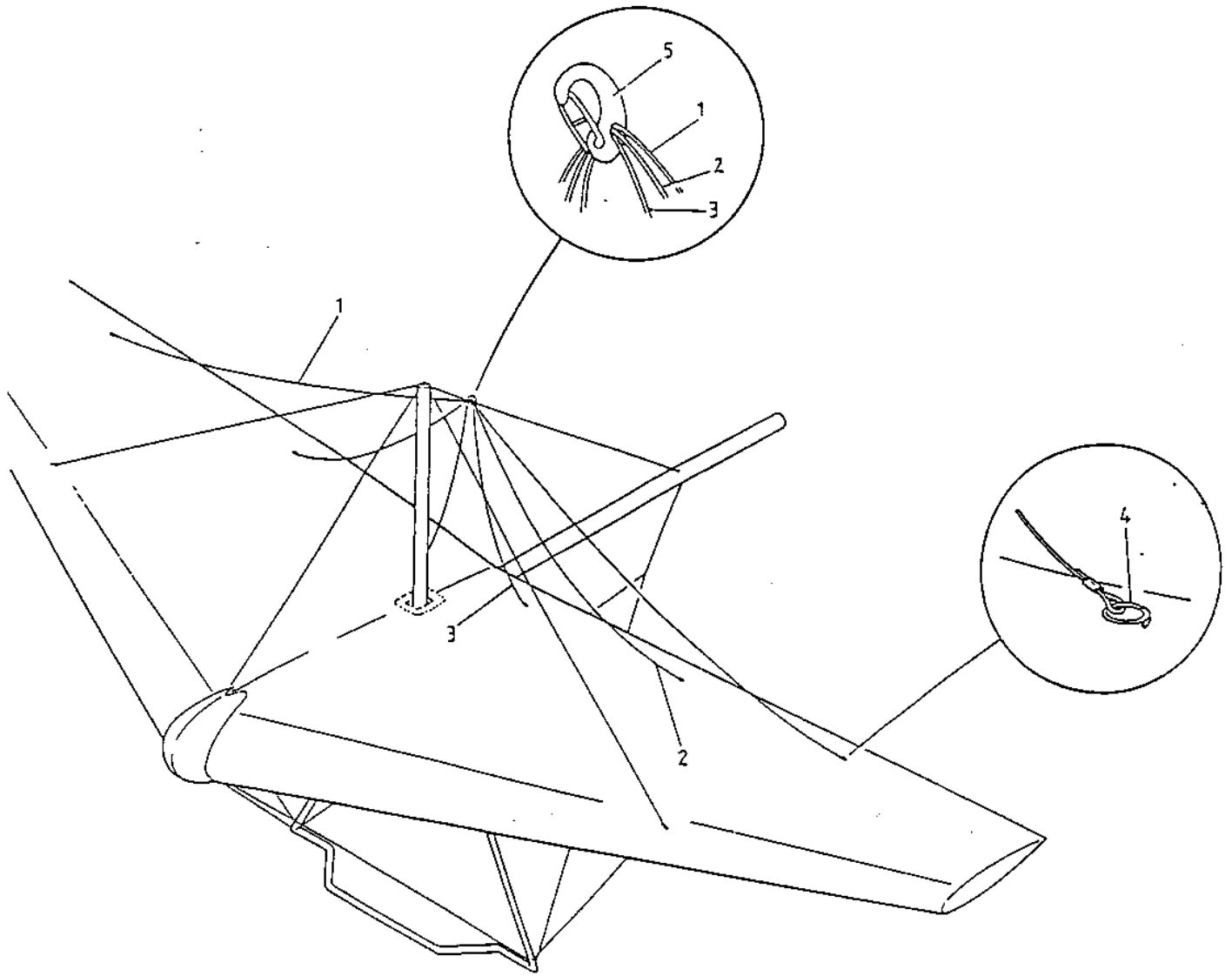
21 RIBS

Item	Part No.	Description	Quantity
1	YRA-71200	Centre Rib	1
2	YRA-71301	No. 1 Left hand Upper Rib	1
3	YRA-71302	No. 2 Left hand Upper Rib	1
4	YRA-71303	No. 3 Left hand Upper Rib	1
5	YRA-71304	No. 4 Left hand Upper Rib	1
6	YRA-71305	No. 5 Left hand Upper Rib	1
7	YRA-71306	No. 6 Left hand Upper Rib	1
8	YRA-71307	No. 7 Left hand Upper Rib	1
9	YRA-71308	No. 8 Left hand Upper Rib	1
10	YRA-72101	No. 1 Left Hand Lower Rib	1
11	YRA-72102	No. 2 Left hand Lower Rib	1
12	YRA-72103	No. 3 Left hand Lower Rib	1
13	YRA-71309	Left hand Comp Strut	1
14	YRA-71401	No. 1 Right hand Upper Rib	1
15	YRA-71402	No. 2 Right hand Upper Rib	1
16	YRA-71403	No. 3 Right hand Upper Rib	1
17	YRA-71404	No. 4 Right hand Upper Rib	1
18	YRA-71405	No. 5 Right hand Upper Rib	1
19	YRA-71406	No. 6 Right hand Upper Rib	1
20	YRA-71407	No. 7 Right hand Upper Rib	1
21	YRA-71408	No. 8 Right hand Upper Rib	1
22	YRA-72201	No. 1 Right Hand Lower Rib	1
23	YRA-72202	No. 2 Right hand Lower Rib	1
24	YRA-72203	No. 3 Right hand Lower Rib	1
25	YRA-71409	Right hand Comp Strut	1



22 WASHOUT ROD/TIP ADJUSTER ASSEMBLY

Item	Part No.	Description	Quantity
1	YRA-31102 or YRA-31202	R14.5 Left hand Leading Edge Rear Half Right hand Leading Edge Rear Half	1 1
2	YRA-31105	Leading Edge Tip Assembly	1
3	PEP13-001	Black End Plug GR 2566	1
4	FMS6-25	No. 12 * 1" Countersunk POS Self/Tapscrew	2
5	YRA-31104	R Washout Rod	1
6	PEC5-001	5/8" Black End Cap	1
7	FMSST-001	No. 12 * 3/4" Pan Head POS Self/Tapscrew	2
8	FR4-16-001	1/8" dia. * 1/2" Alloy Pop Rivet	2
9	PMM-005	Jam Cleat Nylon 67 mm HA124	1
10	ZMA-015	Washout Rod Plug - R Type	1
11	VSCS-001	5 mm Shock Cord	1
12	FNX-002	No. 12 U Type Spire Nut	1
13	PTM19-001	22 mm Pipe Insulation Climatube	1
14	ZMP-042	1-1/4" * 13 mm Mylar Washer	1
15	ZSP-006	Adaptor / eyelet sensor	2



23 LUFF LINE ASSEMBLY

Item	Part No.	Description	Quantity
1	YRA-63300	R14.5 Outer Luff Line	1
2	YRA-63200	R14.5 Middle Luff Line	1
3	YRA-63100	R14.5 Inner Luff Line	1
4	FPSR-002	7/8" Safety Ring	6
5	YRA-62300	R14.5 Upper Rear Rigging	1